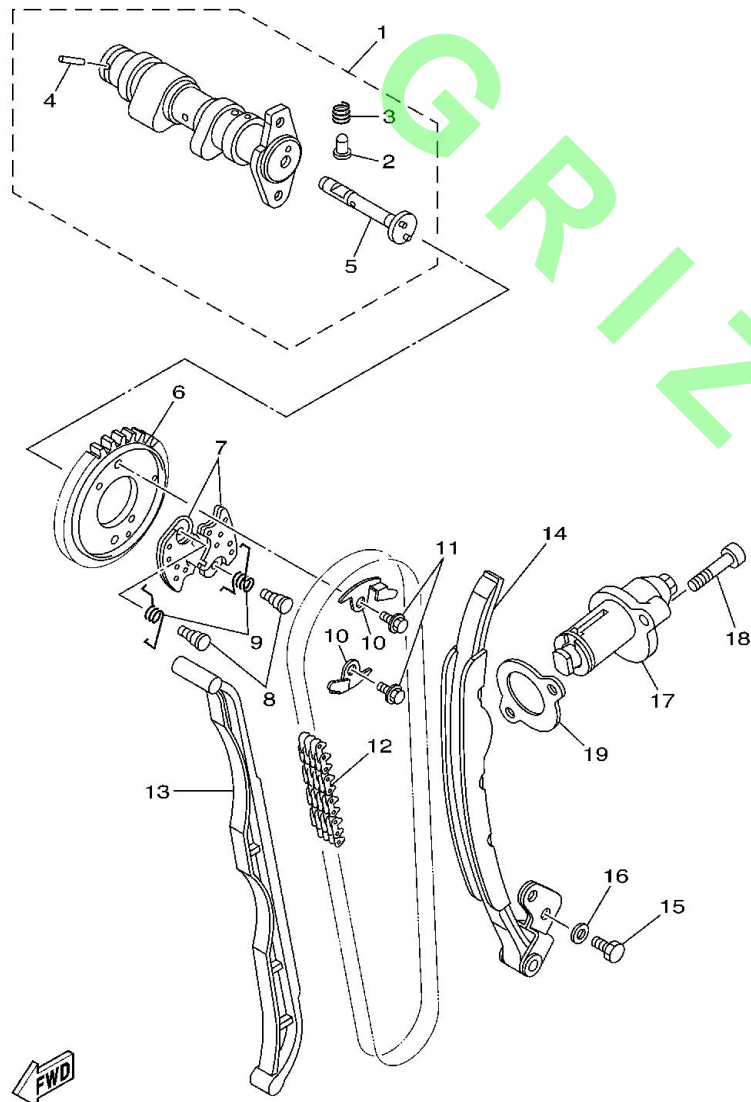
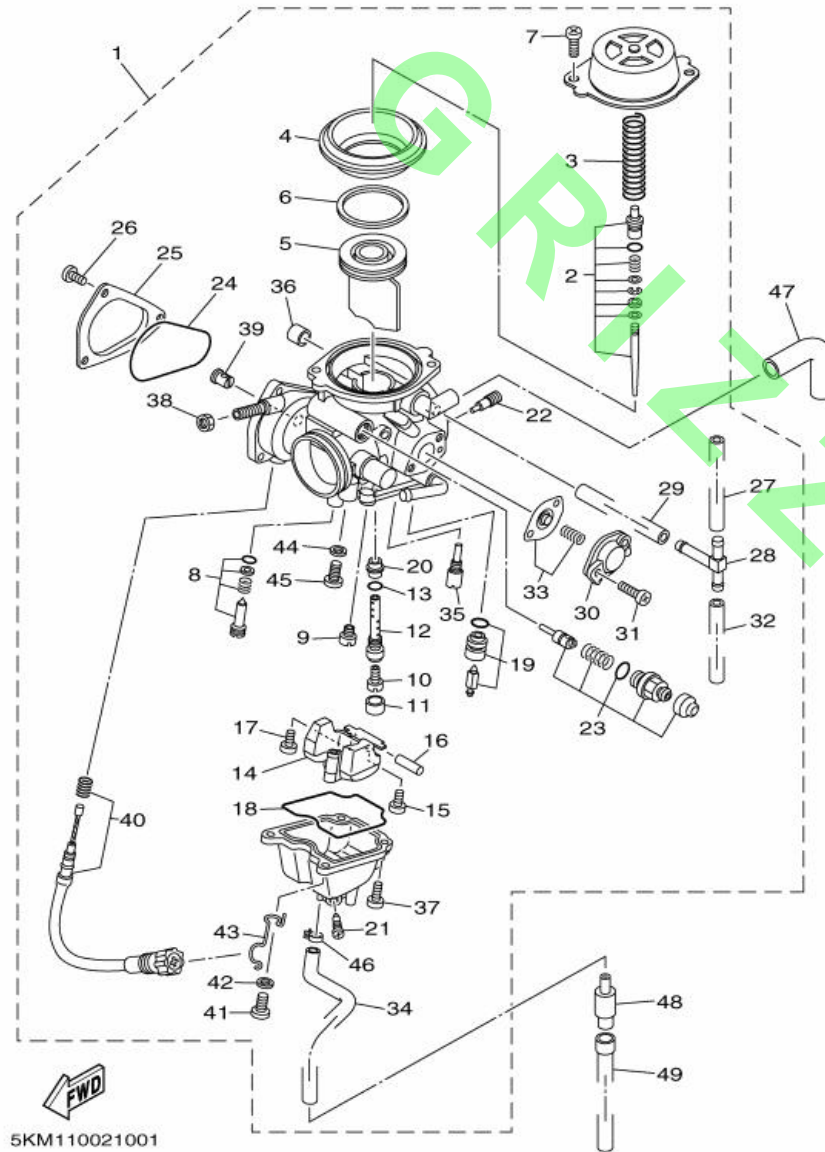


Fig. 05 CAMSHAFT & CHAIN



| Ref. No. | Part No. | Description | | Remarks |
|----------|--------------|-------------------------------|---|---------|
| 1 | 5KM-12170-00 | CAMSHAFT ASSY 1 | 1 | |
| 2 | 3YF-12284-00 | . PIN, DECOMPRESSION LEVER | 1 | |
| 3 | 90501-05001 | . SPRING, COMPRESSION | 1 | |
| 4 | 93603-21180 | . PIN, DOWEL | 1 | |
| 5 | 3YF-12290-00 | . LEVER, DECOMPRESSION SPRING | 1 | |
| 6 | 5KM-12176-00 | SPROCKET, CAM CHAIN | 1 | |
| 7 | 3YF-12288-00 | CAM, DECOMPRESSION | 2 | |
| 8 | 3YF-12247-00 | SHAFT, TENSIONER | 2 | |
| 9 | 5KM-12216-00 | SPRING | 2 | |
| 10 | 3YF-12233-01 | PLATE, GUIDE STOPPER 1 | 2 | |
| 11 | 90105-07004 | BOLT, FLANGE | 2 | |
| 12 | 94591-53126 | CHAIN (92RH2010-126M) | 1 | |
| 13 | 5KM-12231-10 | GUIDE, STOPPER 1 | 1 | |
| 14 | 5KM-12241-00 | GUIDE, STOPPER 2 | 1 | |
| 15 | 97027-06016 | BOLT | 2 | |
| 16 | 92907-06600 | WASHER, PLATE | 2 | |
| 17 | 5KM-12210-00 | TENSIONER ASSY, CAM CHAIN | 1 | |
| 18 | 90110-06039 | BOLT, HEXAGON SOCKET HEAD | 2 | |
| 19 | 4DW-12213-00 | GASKET, TENSIONER CASE | 1 | |

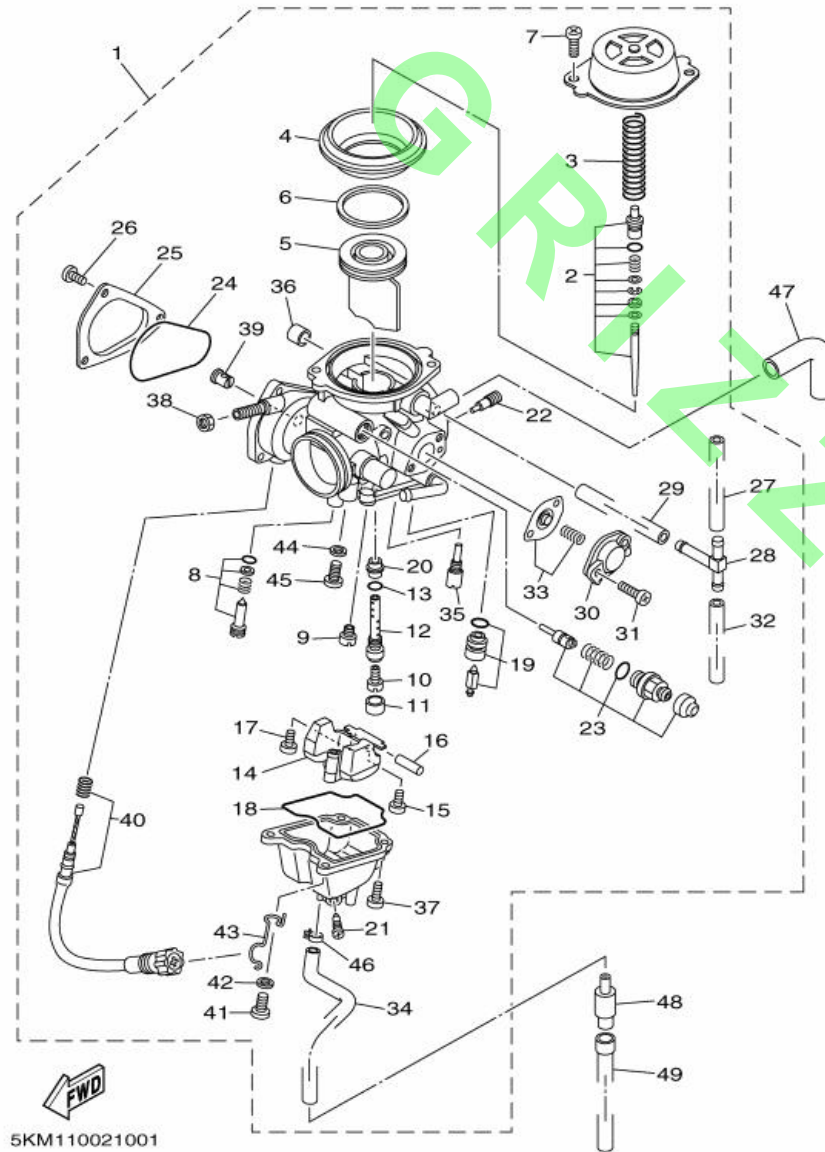
Fig. 10 CARBURETOR



5KM110021001

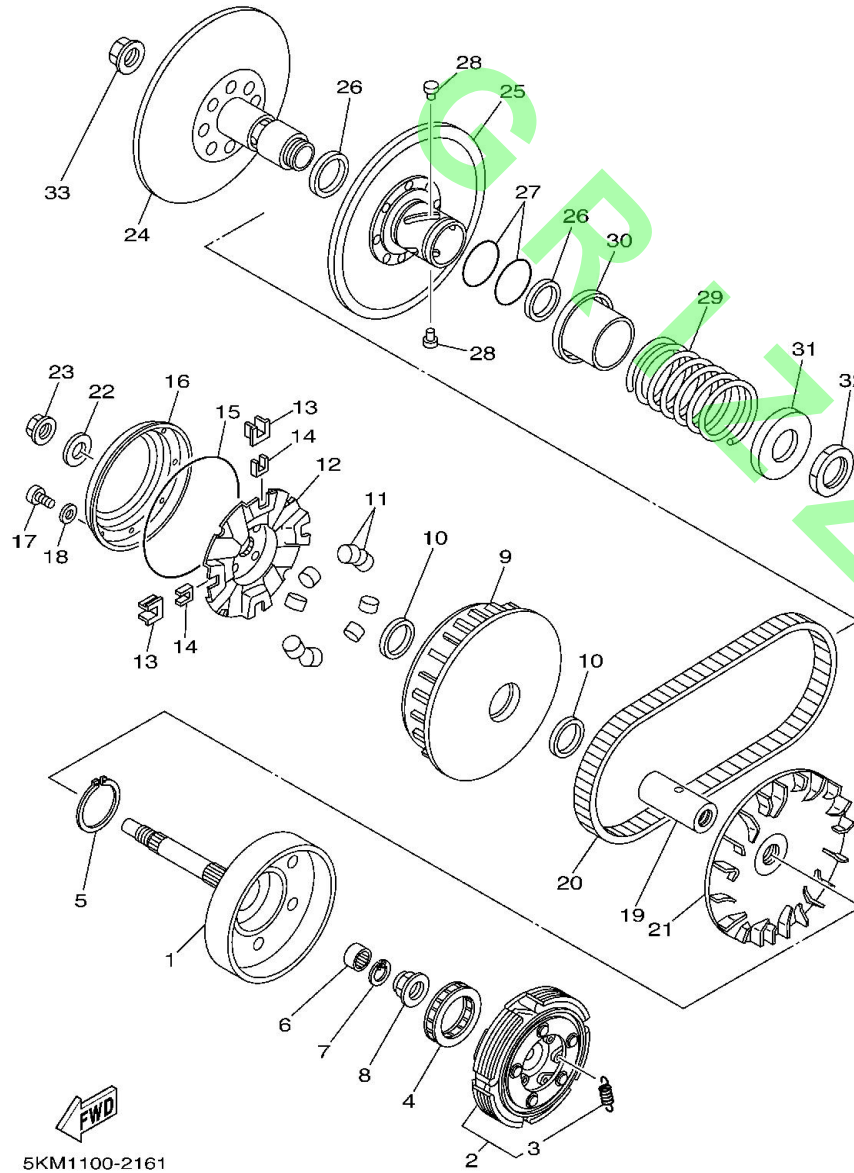
| Ref. No. | Part No. | Description | | Remarks |
|----------|--------------|----------------------|---|---------|
| 1 | 5KM-14901-10 | CARBURETOR ASSY 1 | 1 | |
| 2 | 5KM-1490J-00 | . NEEDLE SET | 1 | |
| 3 | 4KM-14933-00 | . SPRING, DIAPHRAGM | 1 | |
| 4 | 5KM-24411-00 | . DIAPHRAGM | 1 | |
| 5 | 5KM-14912-00 | . VALVE, THROTTLE | 1 | |
| 6 | 5KM-14918-00 | . RING | 1 | |
| 7 | 98507-05008 | . SCREW, PAN HEAD | 2 | |
| 8 | 5EA-14105-00 | . PILOT SCREW SET | 1 | |
| 9 | 3G2-14231-11 | . JET, POWER (# 55) | 1 | |
| 10 | 3G2-1423E-61 | . JET, MAIN (#153.8) | 1 | |
| 11 | 5GH-14918-00 | . RING | 1 | |
| 12 | 5GH-14261-00 | . HOLDER | 1 | |
| 13 | 583-14561-00 | . O-RING | 1 | |
| 14 | 5DM-14985-00 | . FLOAT | 1 | |
| 15 | 98507-04008 | . SCREW, PAN HEAD | 1 | |
| 16 | 127-14186-00 | . PIN, FLOAT | 1 | |
| 17 | 1FN-14565-00 | . SCREW | 1 | |
| 18 | 5DM-14561-00 | . O-RING | 1 | |
| 19 | 5KM-14190-30 | . NEEDLE VALVE ASSY | 1 | |
| 20 | 5DM-14141-30 | . NOZZLE, MAIN | 1 | |
| 21 | 12R-14191-00 | . PLUG, DRAIN | 1 | |
| 22 | 1HX-14231-12 | . JET, MAIN (# 60) | 1 | |
| 23 | 5KM-1410A-00 | . STARTER SET | 1 | |
| 24 | 4WV-14147-10 | . O-RING | 1 | |
| 25 | 4WV-14293-00 | . COVER 1 | 1 | |
| 26 | 98507-04008 | . SCREW, PAN HEAD | 3 | |
| 27 | 5KM-14197-20 | . PIPE | 1 | |

Fig. 10 CARBURETOR



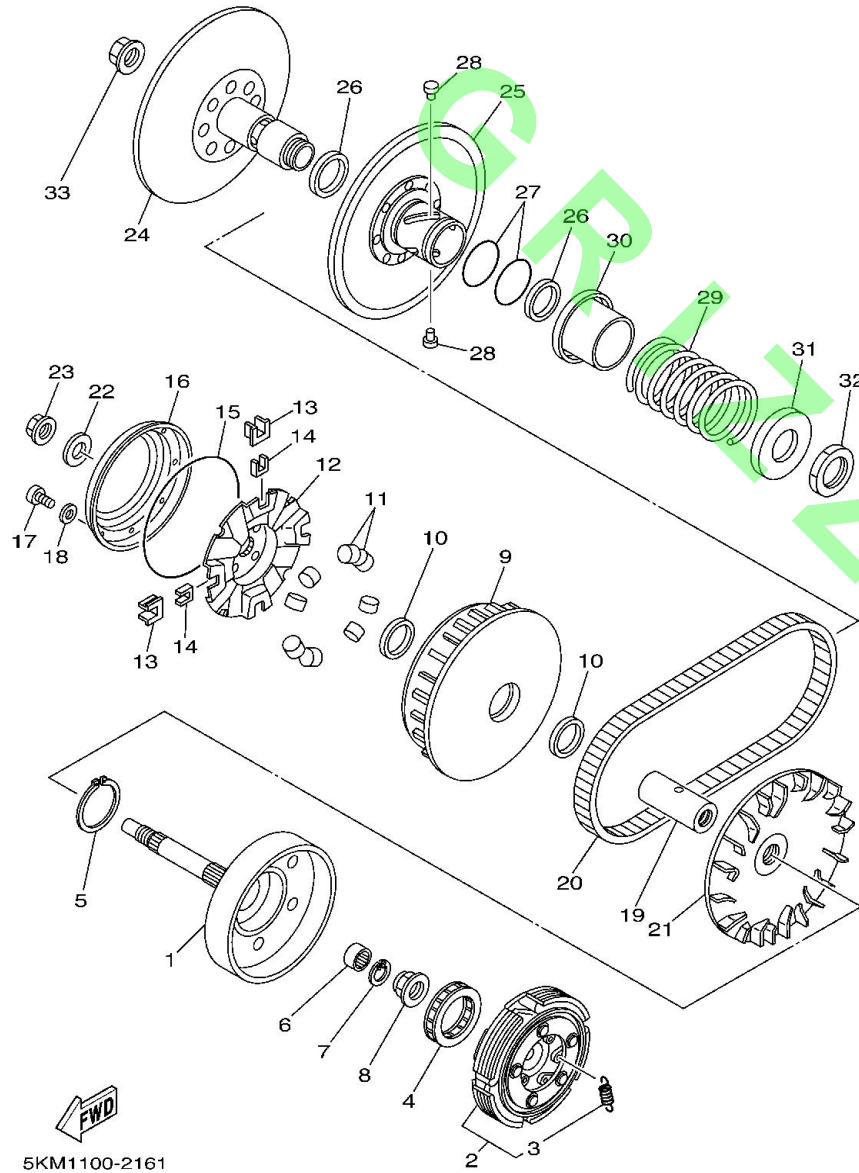
| Ref. No. | Part No. | Description | | Remarks |
|----------|--------------|----------------------------|---|---------|
| 28 | 28V-14988-00 | . PIPE, STARTER CONNECTING | 1 | |
| 29 | 3YX-14197-00 | . PIPE | 1 | |
| 30 | 5AP-14280-00 | . COVER, CARBURETOR | 1 | |
| 31 | 97607-04114 | . SCREW, WITH WASHER | 2 | |
| 32 | 5KM-14197-10 | . PIPE | 1 | |
| 33 | 5KM-1490H-00 | . DIAPHRAGM SET 5 | 1 | |
| 34 | 5KM-14193-00 | . PIPE | 1 | |
| 35 | 4KM-14142-40 | . JET, PILOT (# 40) | 1 | |
| 36 | 5KM-14968-00 | . CAP | 1 | |
| 37 | 98507-04010 | . SCREW, PAN HEAD | 3 | |
| 38 | 522-14161-00 | . NUT, CABLE ADJUSTING | 1 | |
| 39 | 1UY-14155-00 | . GUIDE, CABLE | 1 | |
| 40 | 5KM-14103-00 | . THROTTLE SCREW SET | 1 | |
| 41 | 98507-04014 | . SCREW, PAN HEAD | 1 | |
| 42 | 92907-04600 | . WASHER | 1 | |
| 43 | 5KM-14937-00 | . CLIP | 1 | |
| 44 | 256-14956-01 | . WASHER | 1 | |
| 45 | 3DM-14216-00 | . SCREW | 1 | |
| 46 | 90467-06194 | . CLIP | 1 | |
| 47 | 4WV-14349-00 | PIPE | 1 | |
| 48 | 24W-14193-00 | PIPE | 1 | |
| 49 | 91A20-07010 | TUBE, FLEXIBLE VINYL | 1 | |

Fig. 16 CLUTCH



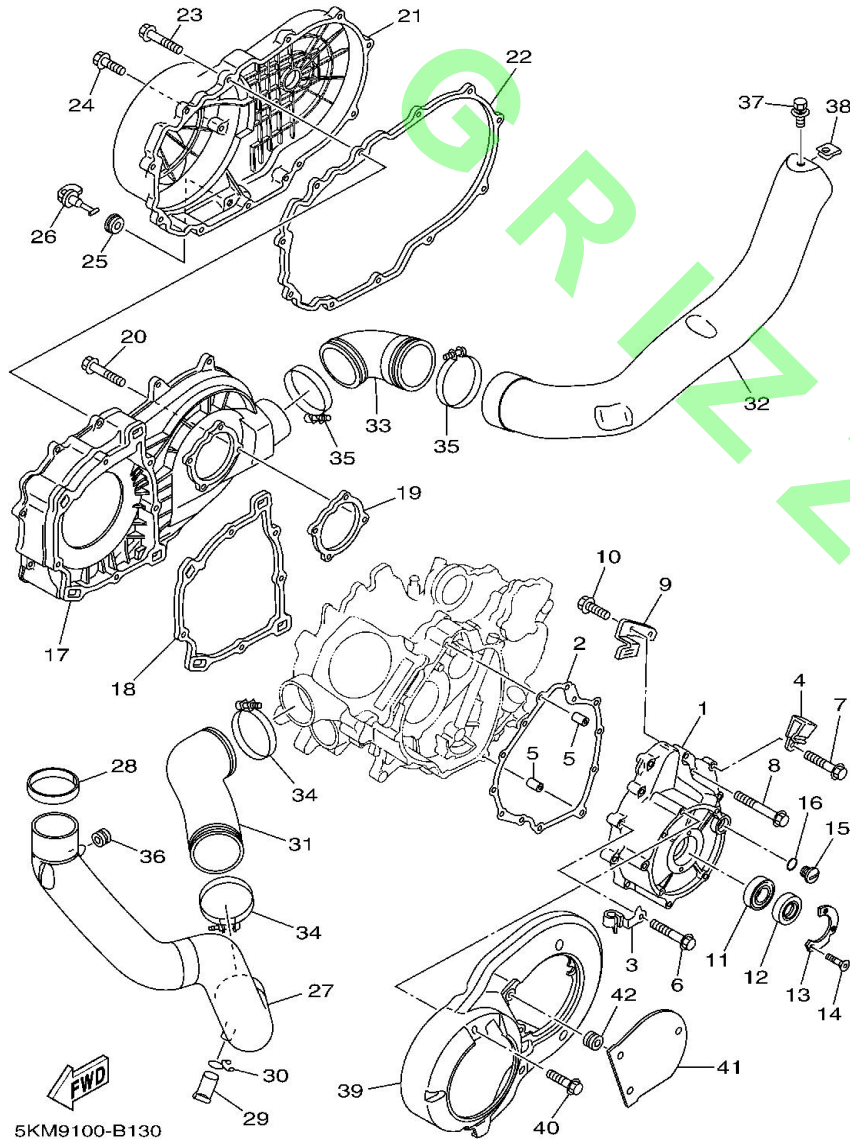
| Ref. No. | Part No. | Description | | Remarks |
|----------|--------------|------------------------------|---|---------|
| 1 | 5KM-16611-10 | CLUTCH HOUSING COMP. | 1 | |
| 2 | 5KM-16620-00 | CLUTCH CARRIER ASSY | 1 | |
| 3 | 5KM-16626-00 | . SPRING, CLUTCH WEIGHT 1 | 5 | |
| 4 | 4SH-16664-00 | BEARING, ONE WAY | 1 | |
| 5 | 93410-46079 | CIRCLIP | 1 | |
| 6 | 93315-21813 | BEARING | 1 | |
| 7 | 93450-24062 | CIRCLIP | 1 | |
| 8 | 90179-22005 | NUT | 1 | |
| 9 | 5KM-17620-00 | PRIMARY SLIDING SHEAVE COMP. | 1 | |
| 10 | 93101-35001 | OIL SEAL | 2 | |
| 11 | 5KM-17632-00 | WEIGHT | 8 | |
| 12 | 5KM-17623-00 | CAM | 1 | |
| 13 | 4WV-17653-00 | SLIDER | 4 | |
| 14 | 4WV-17654-01 | SPACER 1 | 4 | |
| 15 | 93211-594A4 | O-RING | 1 | |
| 16 | 4WV-17639-10 | STOPPER | 1 | |
| 17 | 90157-04088 | SCREW, PAN HEAD | 8 | |
| 18 | 90201-047R9 | WASHER, PLATE | 8 | |
| 19 | 5KM-17645-00 | COLLAR | 1 | |
| 20 | 5KM-17641-00 | V-BELT | 1 | |
| 21 | 5KM-17611-00 | SHEAVE, PRIMARY FIXED | 1 | |
| 22 | 90201-190T7 | WASHER, PLATE | 1 | |
| 23 | 90179-16001 | NUT | 1 | |
| 24 | 4WV-17660-10 | SECONDARY FIXED SHEAVE COMP. | 1 | |
| 25 | 4WV-17670-00 | SECONDARY SLIDING SHEAVE | 1 | |
| 26 | 93104-41119 | OIL SEAL | 2 | |
| 27 | 93210-44545 | O-RING | 2 | |

Fig. 16 CLUTCH



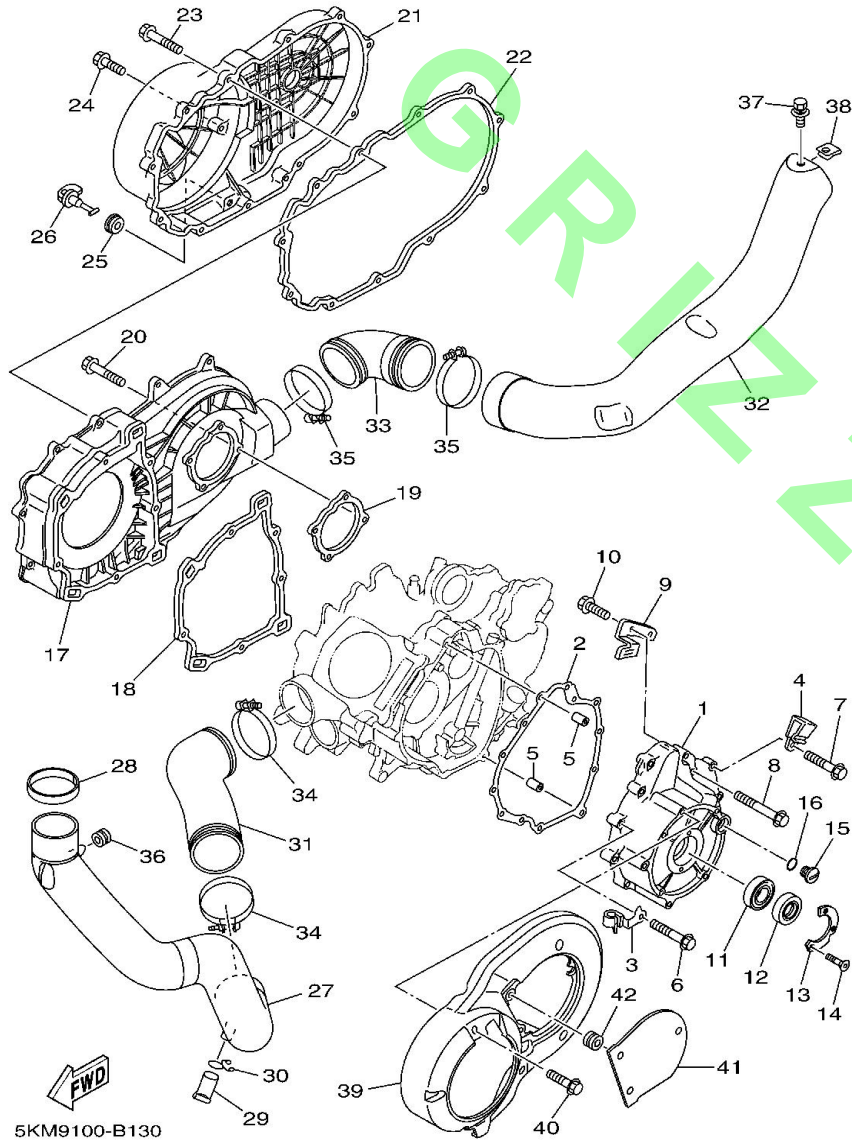
| Ref. No. | Part No. | Description | | Remarks |
|----------|-----------------|------------------------|---|---------|
| | 28 4CW-17664-00 | PIN, GUIDE | 4 | |
| | 29 90501-65001 | SPRING, COMPRESSION | 1 | |
| | 30 4WV-17684-00 | SEAT, SECONDARY SPRING | 1 | |
| | 31 4WV-17644-00 | SEAT, SPRING | 1 | |
| | 32 90170-36279 | NUT | 1 | |
| | 33 90179-16001 | NUT | 1 | |

Fig. 13 CRANKCASE COVER 1



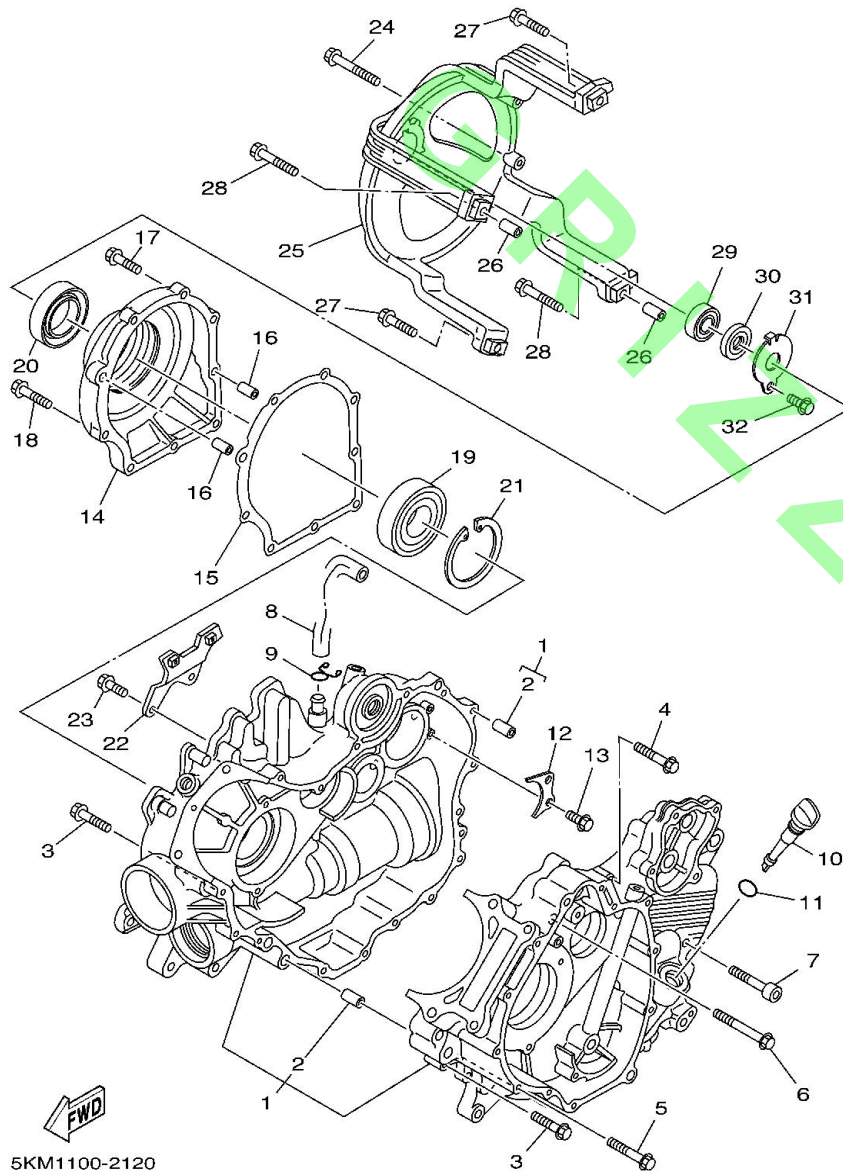
| Ref. No. | Part No. | Description | | Remarks |
|----------|--------------|---------------------------|----|---------|
| 1 | 5KM-15411-10 | COVER, CRANKCASE 1 | 1 | |
| 2 | 5KM-15451-00 | GASKET, CRANKCASE COVER 1 | 1 | |
| 3 | 90465-08361 | CLAMP | 1 | |
| 4 | 90465-05M87 | CLAMP | 1 | |
| 5 | 99530-10116 | PIN, DOWEL | 2 | |
| <hr/> | | | | |
| 6 | 95027-06030 | BOLT, FLANGE | 8 | |
| 7 | 90105-06031 | BOLT, FLANGE | 1 | |
| 8 | 95027-06040 | BOLT, FLANGE | 4 | |
| 9 | 5KM-15113-00 | PLATE | 1 | |
| 10 | 95027-06014 | BOLT, FLANGE | 2 | |
| <hr/> | | | | |
| 11 | 93306-07801 | BEARING | 1 | |
| 12 | 93102-28476 | OIL SEAL | 1 | |
| 13 | 21V-15719-00 | WASHER, THRUST | 1 | |
| 14 | 90151-05023 | SCREW, COUNTERSUNK | 2 | |
| 15 | 90340-14117 | PLUG, STRAIGHT SCREW | 1 | |
| <hr/> | | | | |
| 16 | 93210-14369 | O-RING | 1 | |
| 17 | 5KM-15421-00 | COVER, CRANKCASE 2 | 1 | |
| 18 | 5KM-15453-00 | GASKET | 1 | |
| 19 | 5KM-15315-00 | SEAL, CRANKCASE | 1 | |
| 20 | 95827-06030 | BOLT, FLANGE | 7 | |
| <hr/> | | | | |
| 21 | 5KM-15431-00 | COVER, CRANKCASE 3 | 1 | |
| 22 | 5KM-15379-00 | SEAL, CRANKCASE | 1 | |
| 23 | 95827-06025 | BOLT, FLANGE | 12 | |
| 24 | 95827-06016 | BOLT, FLANGE | 2 | |
| 25 | 90480-13018 | GROMMET | 1 | |
| <hr/> | | | | |
| 26 | 5KM-15351-00 | PLUG, DRAIN | 1 | |
| 27 | 5KM-15471-00 | DUCT, AIR | 1 | |

Fig. 13 CRANKCASE COVER 1



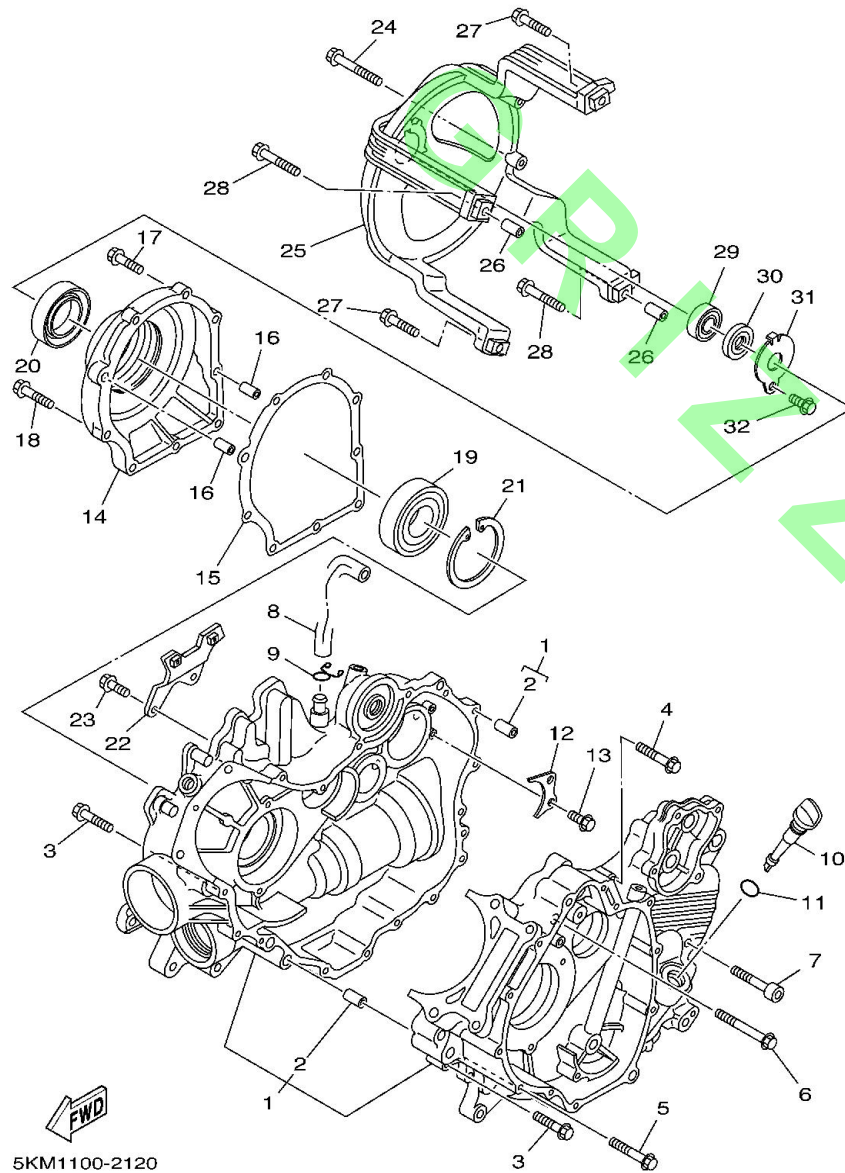
| Ref. No. | Part No. | Description | | Remarks |
|----------|-----------------|-------------------|---|---------|
| | 28 5KM-15494-00 | SEAL, PROTECTOR | 1 | |
| | 29 5BF-1443E-00 | PIPE, DRAIN | 1 | |
| | 30 90467-16195 | CLIP | 1 | |
| | 31 5KM-15472-10 | SEAL, AIR DUCT | 1 | |
| | 32 5KM-15473-00 | DUCT, AIR | 1 | |
| | 33 5KM-15474-00 | SEAL, AIR DUCT | 1 | |
| | 34 90460-81224 | CLAMP, HOSE | 2 | |
| | 35 90460-85135 | CLAMP, HOSE | 2 | |
| | 36 90480-13398 | GROMMET | 1 | |
| | 37 90119-06056 | BOLT, WITH WASHER | 1 | |
| | 38 90183-06053 | NUT, SPRING | 1 | |
| | 39 5KM-15423-00 | COVER 2 | 1 | |
| | 40 95827-06020 | BOLT, FLANGE | 6 | |
| | 41 5GH-15413-00 | COVER | 1 | |
| | 42 90480-13398 | GROMMET | 3 | |

Fig. 12 CRANKCASE



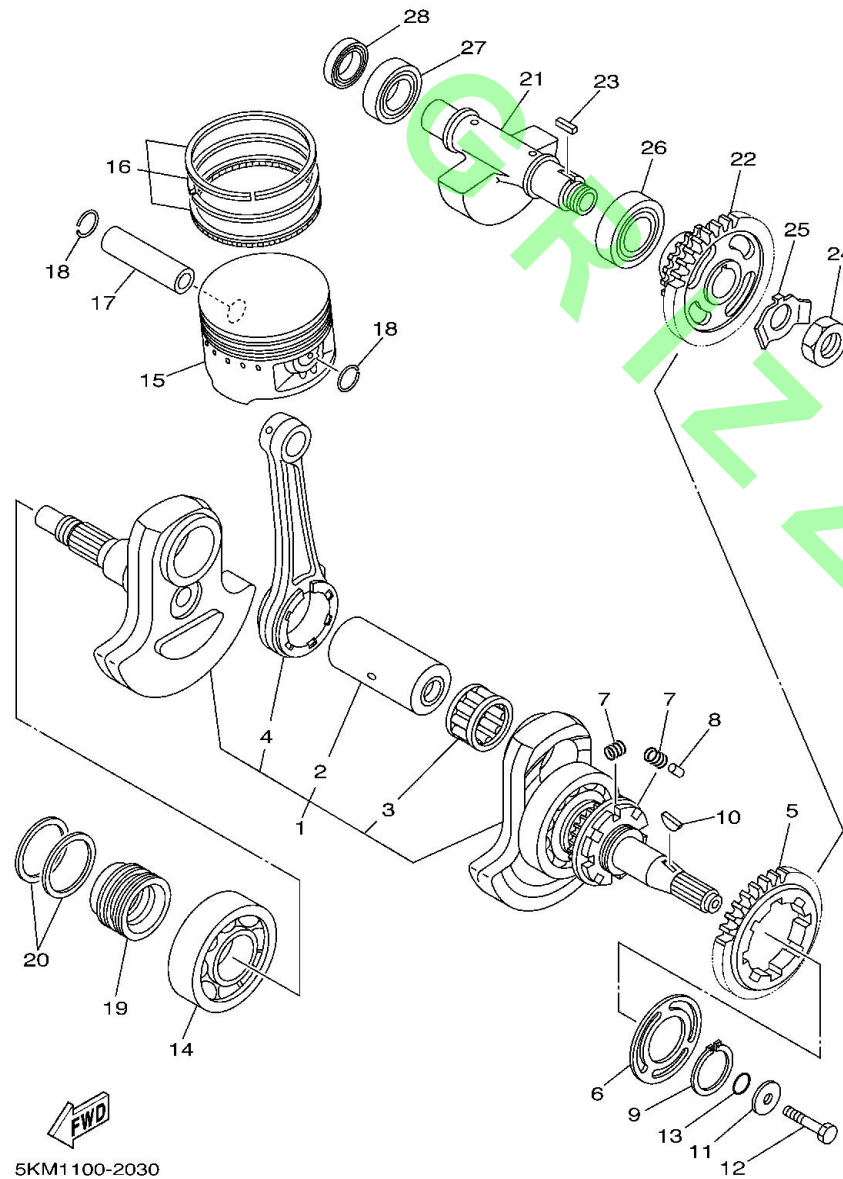
| Ref. No. | Part No. | Description | | Remarks |
|----------|-----------------|----------------------------|----|---------|
| | 1 5KM-15100-11 | CRANKCASE ASSY | 1 | |
| | 2 99530-10116 | . PIN, DOWEL | 2 | |
| | 3 95027-06030 | BOLT, FLANGE | 11 | |
| | 4 90105-06031 | BOLT, FLANGE | 1 | |
| | 5 95027-06040 | BOLT, FLANGE | 2 | |
| <hr/> | | | | |
| | 6 95027-06055 | BOLT, FLANGE | 1 | |
| | 7 91317-08040 | BOLT | 3 | |
| | 8 5KM-11166-10 | PIPE, BREATHER 1 | 1 | |
| | 9 90467-14015 | CLIP | 1 | |
| | 10 5KM-15362-00 | PLUG, OIL LEVEL | 1 | |
| <hr/> | | | | |
| | 11 93210-19026 | O-RING | 1 | |
| | 12 4WV-15388-00 | PLATE, BEARING COVER | 1 | |
| | 13 95027-06014 | BOLT, FLANGE | 2 | |
| | 14 5KM-15163-00 | HOUSING, BEARING 1 | 1 | |
| | 15 5KM-15463-00 | GASKET, CARBURETOR COVER 2 | 1 | |
| <hr/> | | | | |
| | 16 99530-10116 | PIN, DOWEL | 2 | |
| | 17 95027-06030 | BOLT, FLANGE | 7 | |
| | 18 95027-06040 | BOLT, FLANGE | 2 | |
| | 19 93316-01003 | BEARING | 1 | |
| | 20 93102-35004 | OIL SEAL | 1 | |
| <hr/> | | | | |
| | 21 99009-80500 | CIRCLIP | 1 | |
| | 22 5KM-15199-00 | BRACKET | 1 | |
| | 23 95817-06016 | BOLT, FLANGE | 2 | |
| | 24 95827-06050 | BOLT, FLANGE | 2 | |
| | 25 5KM-15442-00 | HOUSING, BEARING | 1 | |
| <hr/> | | | | |
| | 26 99530-10116 | PIN, DOWEL | 2 | |
| | 27 95827-06030 | BOLT, FLANGE | 2 | |

Fig. 12 CRANKCASE



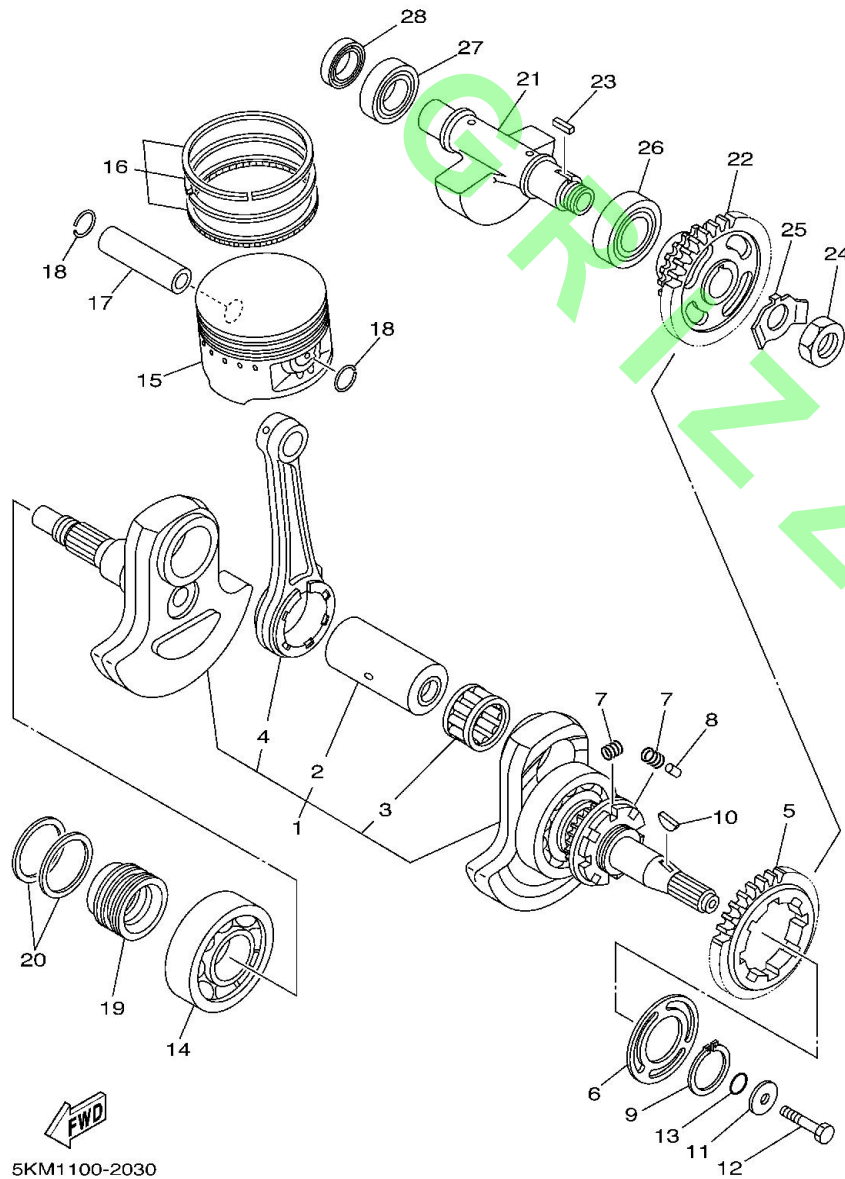
| Ref. No. | Part No. | Description | | Remarks |
|----------|----------|--------------|----------------------|---------|
| | 28 | 95827-06040 | BOLT, FLANGE | 2 |
| | 29 | 93306-20120 | BEARING | 1 |
| | 30 | 93101-12168 | OIL SEAL | 1 |
| | 31 | 4WV-15381-00 | PLATE, BEARING COVER | 1 |
| | 32 | 95027-06012 | BOLT, FLANGE | 1 |
| <hr/> | | | | |
| <hr/> | | | | |
| <hr/> | | | | |
| <hr/> | | | | |
| <hr/> | | | | |
| <hr/> | | | | |
| <hr/> | | | | |
| <hr/> | | | | |

Fig. 03 CRANKSHAFT & PISTON



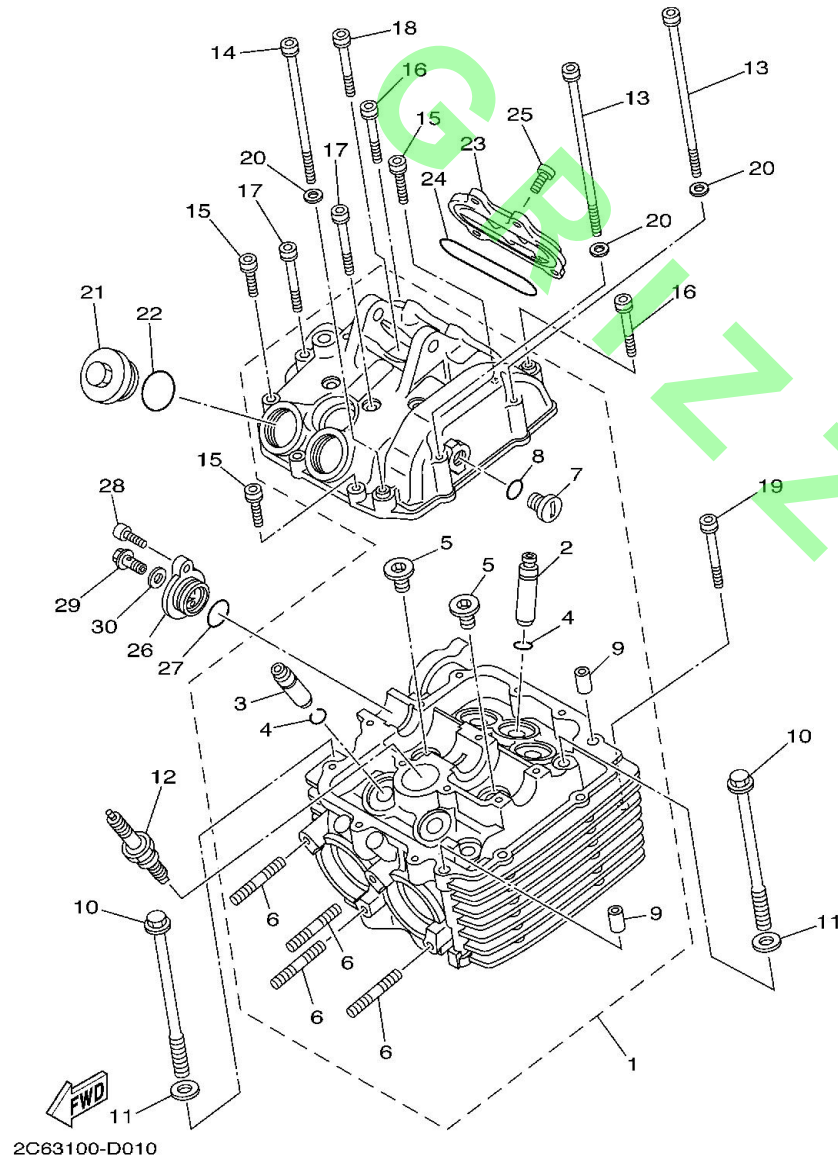
| Ref. No. | Part No. | Description | | Remarks | |
|----------|----------|-----------------|------------------------------|---------|----|
| | 1 | 5KM-11400-00 | CRANKSHAFT ASSY | 1 | |
| | 2 | 5KM-11681-00 | . PIN, CRANK 1 | 1 | |
| | 3 | 93310-637D3 | . BEARING | 1 | |
| | 4 | 5LP-11651-00 | . ROD, CONNECTING | 1 | |
| | 5 | 5KM-11536-00 | GEAR, DRIVE | 1 | |
| <hr/> | | | | | |
| | 6 | 5KM-11565-00 | WASHER, BEARING COVER | 1 | |
| | 7 | 90501-220A1 | SPRING, COMPRESSION | 8 | |
| | 8 | 93606-09002 | PIN, DOWEL | 4 | |
| | 9 | 99009-35400 | CIRCLIP | 1 | |
| | 10 | 90280-16053 | KEY, WOODRUFF | 1 | |
| <hr/> | | | | | |
| | 11 | 90201-10321 | WASHER, PLATE | 1 | |
| | 12 | 90101-10568 | BOLT | 1 | |
| | 13 | 93210-16290 | O-RING | 1 | |
| | 14 | 93306-30702 | BEARING | 1 | |
| | 15 | 3YF-11631-00-X0 | PISTON (STD) | 1 | |
| | | 3YF-11636-00 | PISTON (0.50MM O/S) | 1 | AP |
| | | 3YF-11638-00 | PISTON (1.00MM O/S) | 1 | AP |
| | 16 | 2C6-11603-00 | PISTON RING SET (STD) | 1 | |
| | | 2C6-11605-00 | PISTON RING SET (0.50MM O/S) | 1 | AP |
| | | 2C6-11607-00 | PISTON RING SET (1.00MM O/S) | 1 | AP |
| <hr/> | | | | | |
| | 17 | 3YF-11633-01 | PIN, PISTON | 1 | |
| | 18 | 93450-24028 | CIRCLIP | 2 | |
| | 19 | 5KM-16181-00 | SPACER 1 | 1 | |
| | 20 | 5KM-11447-00 | SEAL, CRANK | 2 | |
| | 21 | 5KM-11454-10 | WEIGHT 1 | 1 | |
| <hr/> | | | | | |
| | 22 | 5KM-11530-00 | BALANCER WEIGHT GEAR COMP. | 1 | |
| | 23 | 90282-05005 | KEY, STRAIGHT | 1 | |

Fig. 03 CRANKSHAFT & PISTON



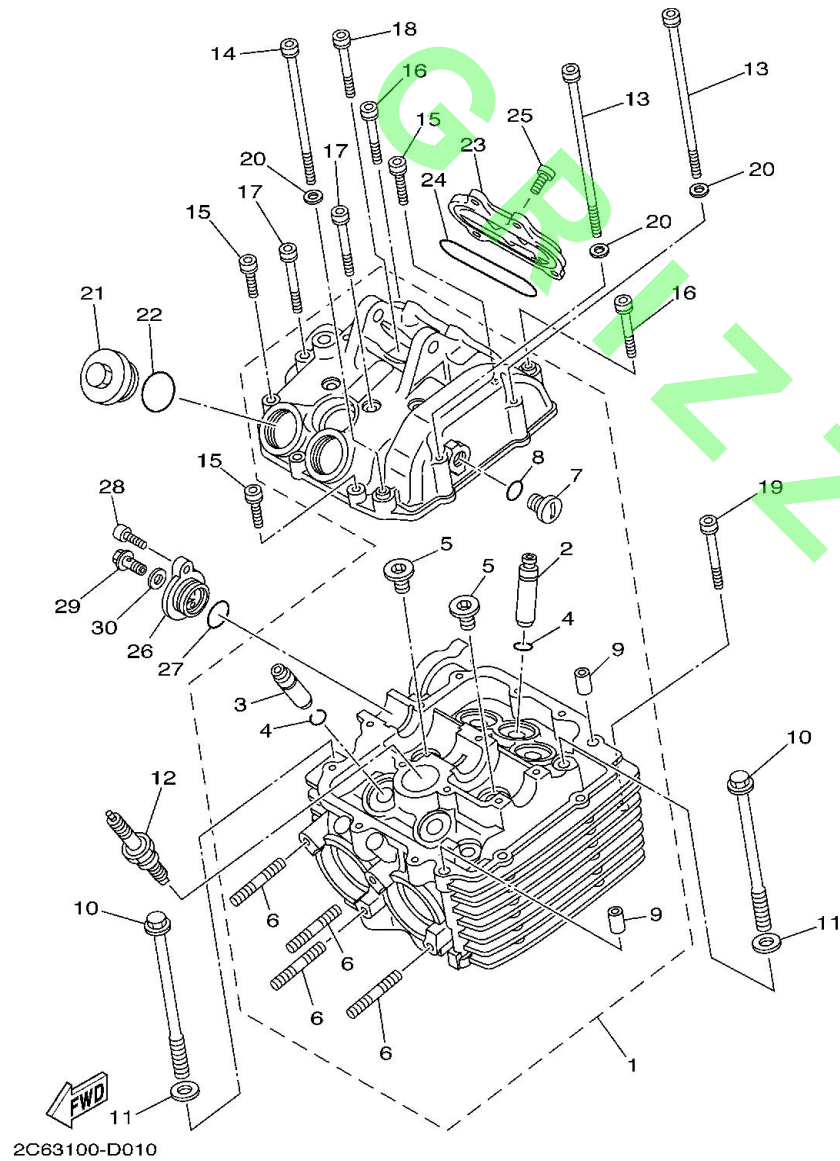
| Ref. No. | Part No. | Description | | Remarks |
|----------|----------|-------------|--------------|---------|
| | 24 | 90170-18003 | NUT | 1 |
| | 25 | 90215-18001 | WASHER, LOCK | 1 |
| | 26 | 93306-30534 | BEARING | 1 |
| | 27 | 93306-30432 | BEARING | 1 |
| | 28 | 93102-20108 | OIL SEAL | 1 |
| ----- | | | | |
| ----- | | | | |
| ----- | | | | |
| ----- | | | | |
| ----- | | | | |
| ----- | | | | |
| ----- | | | | |
| ----- | | | | |
| ----- | | | | |
| ----- | | | | |

Fig. 01 CYLINDER HEAD



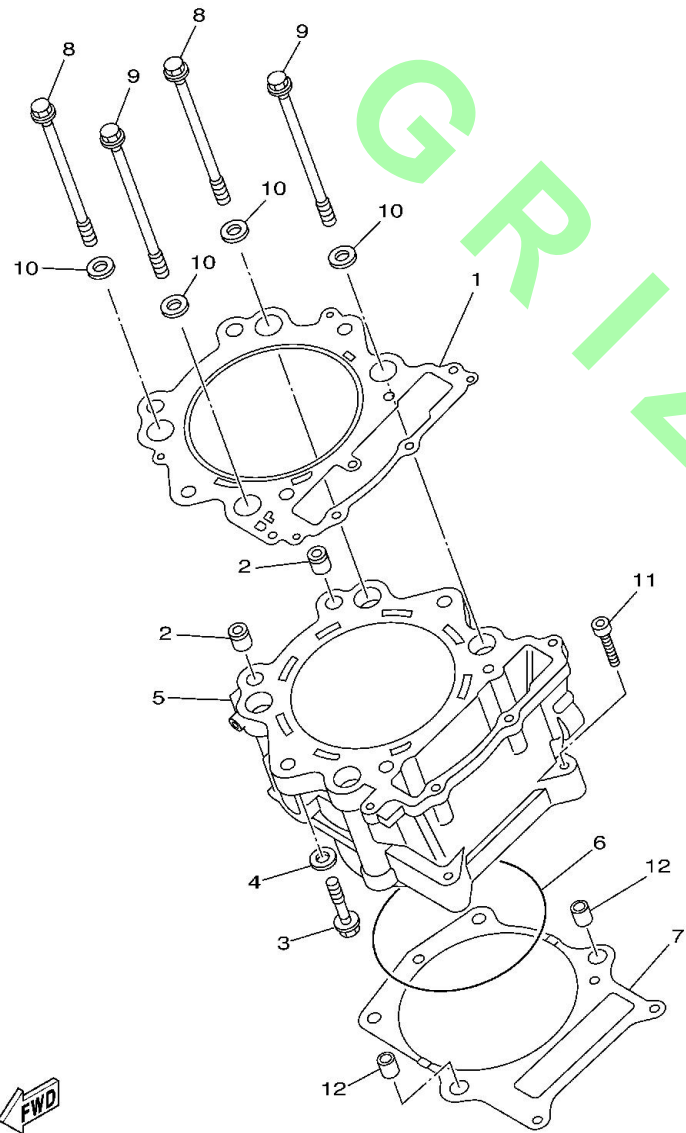
| Ref. No. | Part No. | Description | | Remarks |
|----------|-----------------|-----------------------------|---|---------|
| | 1 5KM-11101-01 | CYLINDER HEAD ASSY | 1 | |
| | 2 5KM-11133-10 | . GUIDE, VALVE 1 | 3 | |
| | 3 5KM-11134-10 | . GUIDE, VALVE 2 | 2 | |
| | 4 93440-10085 | . CIRCLIP | 5 | |
| | 5 90340-18101 | . PLUG, STRAIGHT SCREW | 2 | |
| | 6 95617-08625 | . BOLT, STUD | 4 | |
| | 7 90340-14117 | . PLUG, STRAIGHT SCREW | 1 | |
| | 8 93210-13657 | . O-RING | 1 | |
| | 9 99530-10116 | . PIN, DOWEL | 2 | |
| | 10 90105-09648 | BOLT, FLANGE | 4 | |
| | 11 90201-096J9 | WASHER, PLATE | 4 | |
| | 12 94701-00241 | PLUG, SPARK (NGK DPR8EA-9) | 1 | |
| | 13 91317-06130 | BOLT | 2 | |
| | 14 91317-06115 | BOLT | 1 | |
| | 15 91317-06025 | BOLT | 5 | |
| | 16 91317-06040 | BOLT | 2 | |
| | 17 91317-06055 | BOLT | 6 | |
| | 18 90109-063E9 | BOLT | 1 | |
| | 19 91317-06050 | BOLT | 1 | |
| | 20 92907-06600 | WASHER, PLATE | 3 | |
| | 21 1L9-11186-00 | COVER, CYLINDER HEAD SIDE 2 | 2 | |
| | 22 93210-32172 | O-RING | 2 | |
| | 23 3YF-11187-00 | COVER, CYLINDER HEAD SIDE 3 | 1 | |
| | 24 93210-71360 | O-RING | 1 | |
| | 25 91317-06018 | BOLT | 4 | |
| | 26 3TB-12215-01 | CAP, TENSIONER CASE | 1 | |
| | 27 93210-19522 | O-RING | 1 | |

Fig. 01 CYLINDER HEAD



| Ref. No. | Part No. | Description | | Remarks |
|---|----------------|---------------------------|---|---------|
| | 28 90110-06093 | BOLT, HEXAGON SOCKET HEAD | 1 | |
| | 29 90401-06001 | BOLT, UNION | 1 | |
| | 30 90430-06192 | GASKET | 1 | |
| <hr style="border-top: 1px dashed black;"/> | | | | |
| <hr style="border-top: 1px dashed black;"/> | | | | |
| <hr style="border-top: 1px dashed black;"/> | | | | |
| <hr style="border-top: 1px dashed black;"/> | | | | |
| <hr style="border-top: 1px dashed black;"/> | | | | |
| <hr style="border-top: 1px dashed black;"/> | | | | |
| <hr style="border-top: 1px dashed black;"/> | | | | |
| <hr style="border-top: 1px dashed black;"/> | | | | |

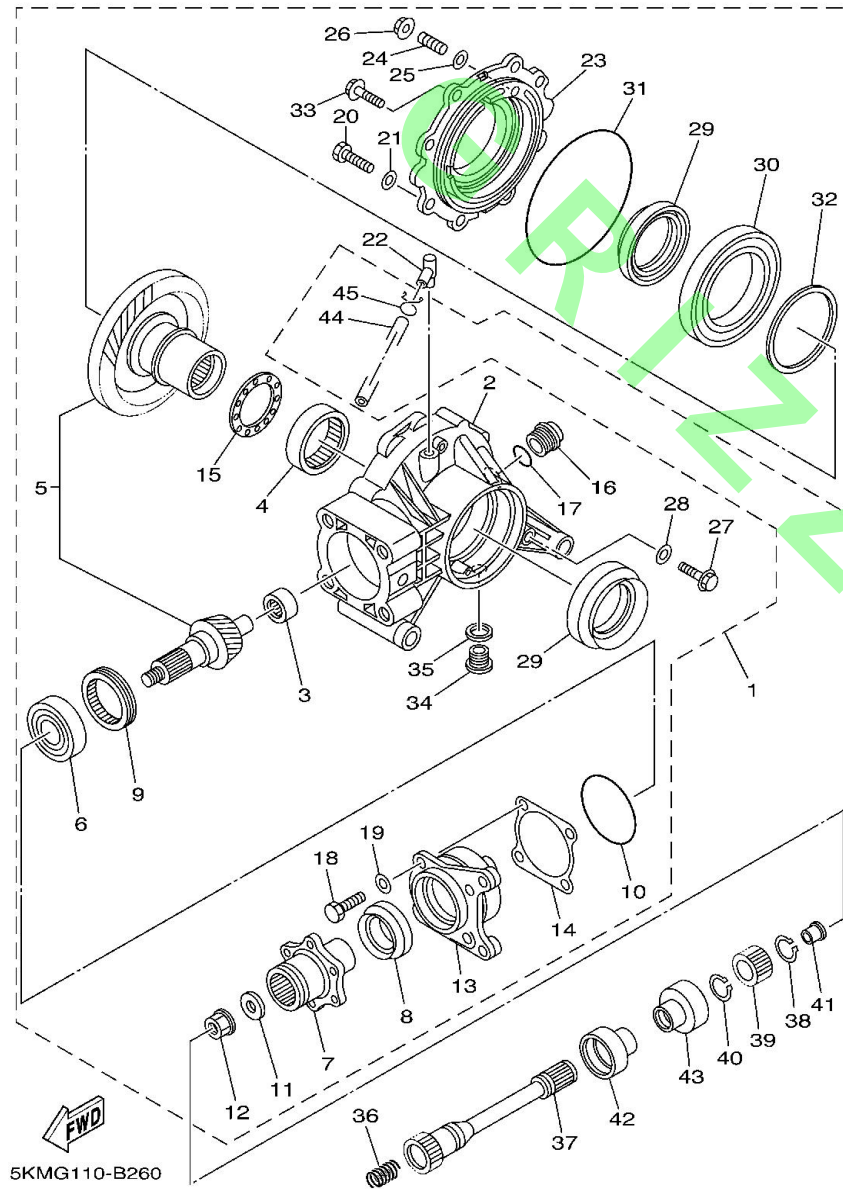
Fig. 02 CYLINDER



5KM1100-2021

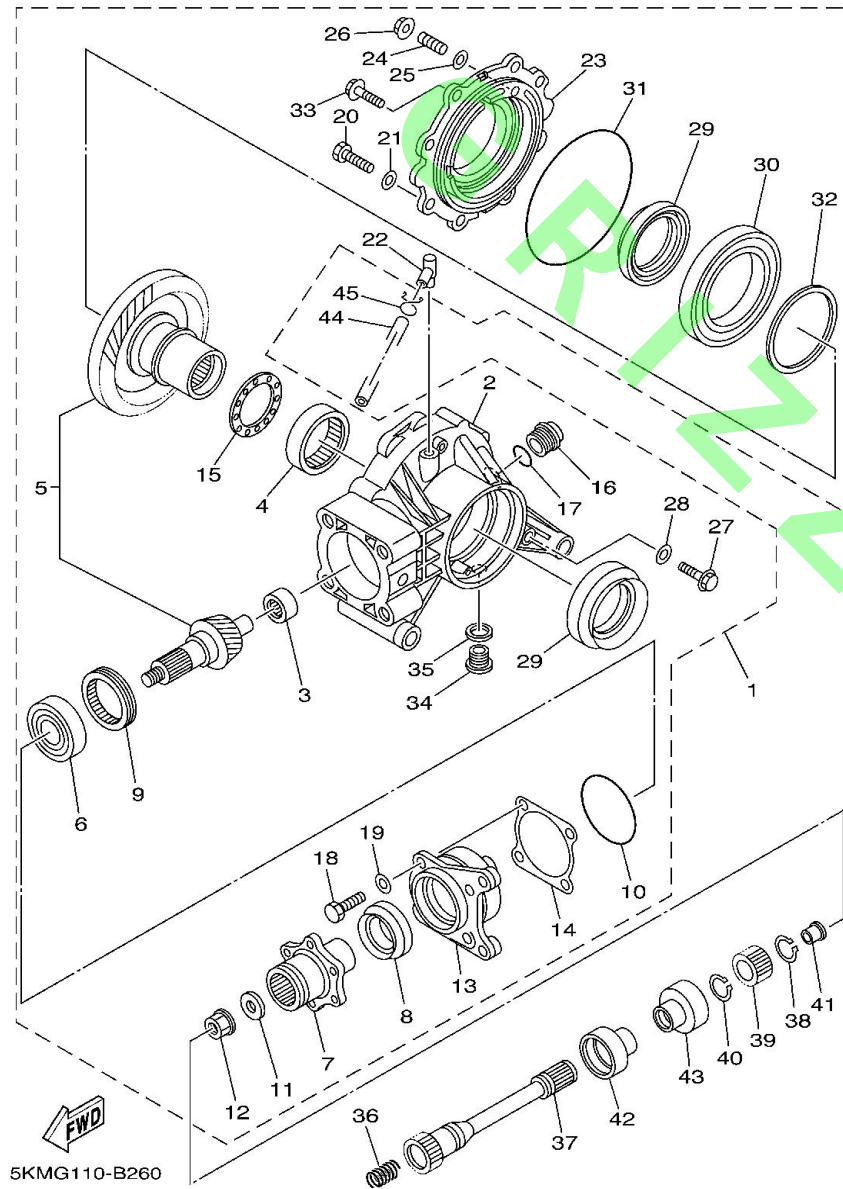
| Ref. No. | Part No. | Description | Quantity | Remarks |
|----------|--------------|-------------------------|----------|---------|
| 1 | 3YF-11181-00 | GASKET, CYLINDER HEAD 1 | 1 | |
| 2 | 93612-16254 | PIN, DOWEL | 2 | |
| 3 | 90105-09647 | BOLT, FLANGE | 2 | |
| 4 | 90201-096J9 | WASHER, PLATE | 2 | |
| 5 | 5KM-11310-00 | CYLINDER | 1 | |
| 6 | 93211-01467 | O-RING | 1 | |
| 7 | 5KM-11351-00 | GASKET, CYLINDER | 1 | |
| 8 | 90105-10649 | BOLT, FLANGE | 2 | |
| 9 | 90105-10650 | BOLT, FLANGE | 2 | |
| 10 | 90201-101A4 | WASHER, PLATE | 4 | |
| 11 | 91317-06040 | BOLT | 2 | |
| 12 | 99530-14016 | PIN, DOWEL | 2 | |

Fig. 26 DRIVE SHAFT



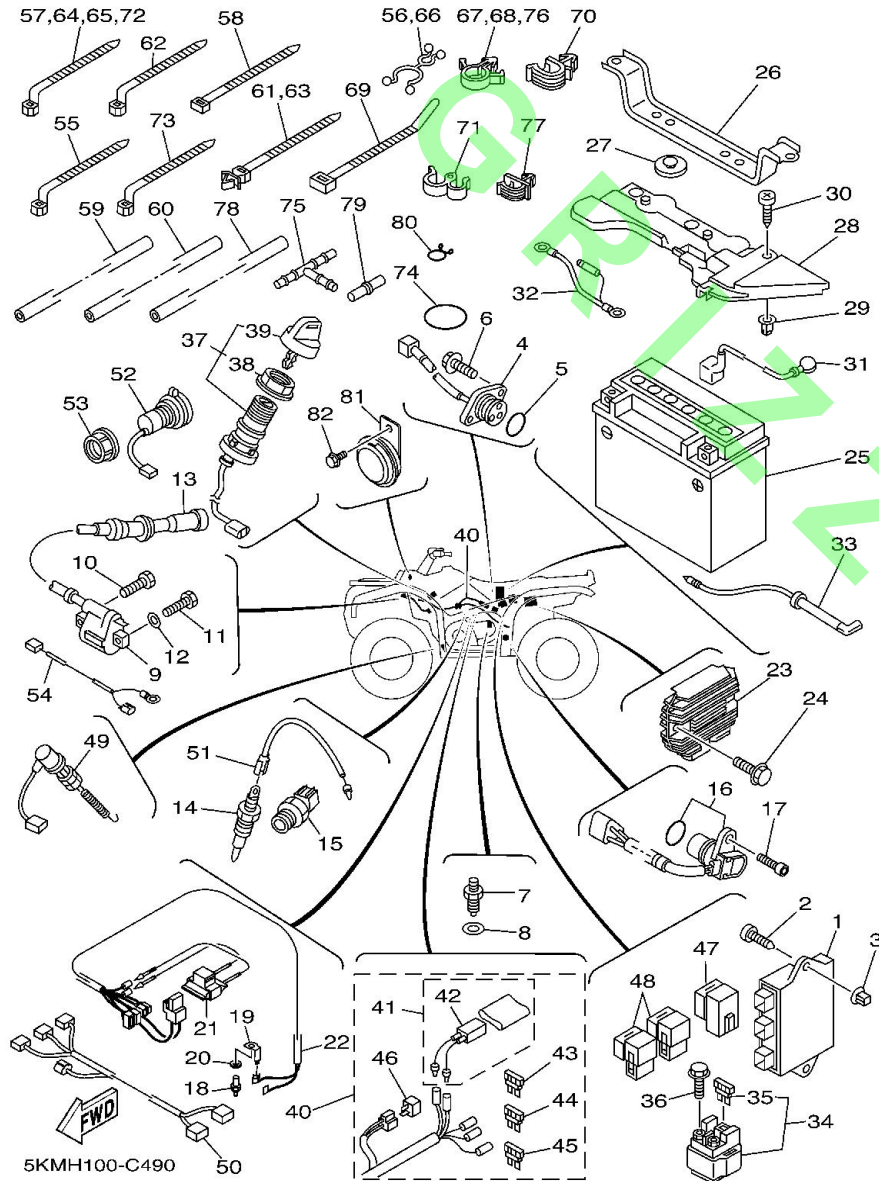
| Ref. No. | Part No. | Description | Quantity | Remarks |
|----------|----------|-----------------|----------|------------------------------|
| | 1 | 5KM-46101-12 | 1 | REAR AXLE GEAR CASE ASSY |
| | 2 | 5KM-46151-02 | 1 | . HOUSING, DRIVE SHAFT |
| | 3 | 5KM-46102-00 | 1 | . BEARING ASSY |
| | 4 | 93317-85569 | 1 | . BEARING |
| | 5 | 5KM-Y4612-00 | 1 | . RING GEAR SET |
| | 6 | 93306-30574 | 1 | . BEARING |
| | 7 | 5KM-46212-00 | 1 | . BOSS, 1 |
| | 8 | 93102-35009 | 1 | . OIL SEAL |
| | 9 | 90179-65001 | 1 | . NUT |
| | 10 | 93210-626A7 | 1 | . O-RING |
| | 11 | 90201-12191 | 1 | . WASHER, PLATE |
| | 12 | 90179-12325 | 1 | . NUT |
| | 13 | 5KM-46144-01 | 1 | . HOUSING, PINION BEARING |
| | 14 | 2HR-46127-00-25 | 1 | . SHIM, DRIVE PISTON (0.25T) |
| | | 2HR-46127-00-30 | 1 | . SHIM, DRIVE PISTON (0.30T) |
| | | 2HR-46127-00-35 | 1 | . SHIM, DRIVE PISTON (0.35T) |
| | | 2HR-46127-00-40 | 1 | . SHIM, DRIVE PISTON (0.40T) |
| | | 2HR-46127-00-45 | 1 | . SHIM, DRIVE PISTON (0.45T) |
| | | 2HR-46127-00-50 | 1 | . SHIM, DRIVE PISTON (0.50T) |
| | 15 | 24W-46118-00-12 | 1 | . WASHER, THRUST (1.2T) |
| | | 24W-46118-00-14 | 1 | . WASHER, THRUST (1.4T) |
| | | 24W-46118-00-16 | 1 | . WASHER, THRUST (1.6T) |
| | | 24W-46118-00-18 | 1 | . WASHER, THRUST (1.8T) |
| | | 24W-46118-00-20 | 1 | . WASHER, THRUST (2.0T) |
| | 16 | 90340-20143 | 1 | . PLUG, STRAIGHT SCREW |
| | 17 | 93210-19123 | 1 | . O-RING |
| | 18 | 97017-08035 | 4 | . BOLT |

Fig. 26 DRIVE SHAFT



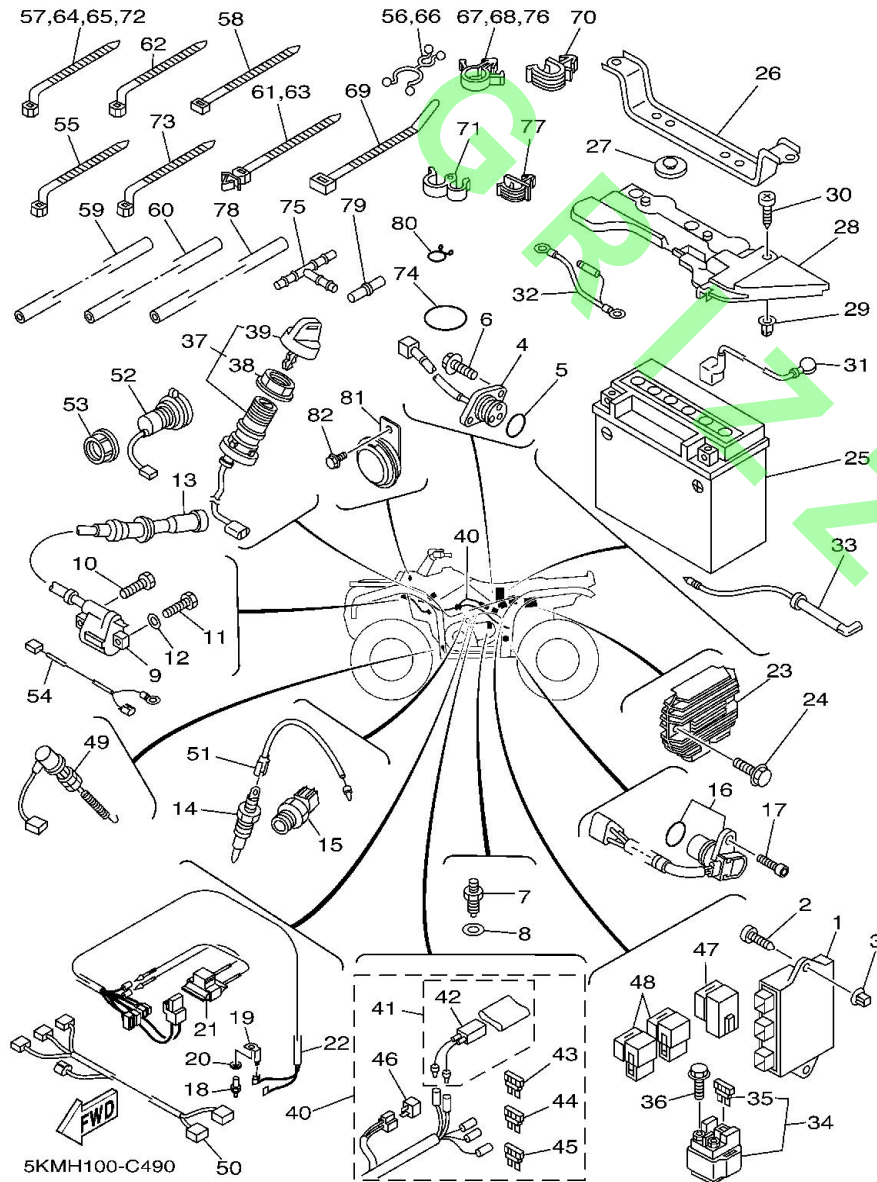
| Ref. No. | Part No. | Description | | Remarks |
|----------|--------------------|---------------------------|---|---------|
| | 19 92907-08600 | . WASHER, PLATE | 4 | |
| | 20 97027-08025 | . BOLT | 6 | |
| | 21 92907-08600 | . WASHER, PLATE | 6 | |
| | 22 5UG-15371-00 | . BREATHER | 1 | |
| | 23 5KM-46152-00 | . HOUSING, BEARING | 1 | |
| | 24 2HR-46156-00 | . STOPPER, RING GEAR | 1 | |
| | 25 90201-08087 | . WASHER, PLATE | 1 | |
| | 26 95707-08500 | . NUT, FLANGE | 1 | |
| | 27 95027-08012 | . BOLT, FLANGE | 1 | |
| | 28 90201-08087 | . WASHER, PLATE | 1 | |
| | 29 93102-65004 | . OIL SEAL | 2 | |
| | 30 93316-01701 | . BEARING | 1 | |
| | 31 93211-51749 | . O-RING | 1 | |
| | 32 22U-46117-00-25 | . SHIM, RING GEAR (0.25T) | 1 | UR |
| | 22U-46117-00-30 | . SHIM, RING GEAR (0.30T) | 1 | UR |
| | 22U-46117-00-40 | . SHIM, RING GEAR (0.40T) | 1 | UR |
| | 33 95817-10025 | . BOLT, FLANGE | 2 | |
| | 34 90340-14046 | . PLUG, STRAIGHT SCREW | 1 | |
| | 35 214-11198-01 | . GASKET | 1 | |
| | 36 90501-18002 | SPRING, COMPRESSION | 1 | |
| | 37 5KM-46172-00 | SHAFT, DRIVE | 1 | |
| | 38 99009-19400 | CIRCLIP | 1 | |
| | 39 5KM-46126-00 | COUPLING | 1 | |
| | 40 93410-22039 | CIRCLIP | 1 | |
| | 41 5KM-46559-00 | DAMPER | 1 | |
| | 42 5KM-46137-00 | SEAL 2 | 1 | |
| | 43 5KM-46136-00 | SEAL 1 | 1 | |

Fig. 49 ELECTRICAL 1



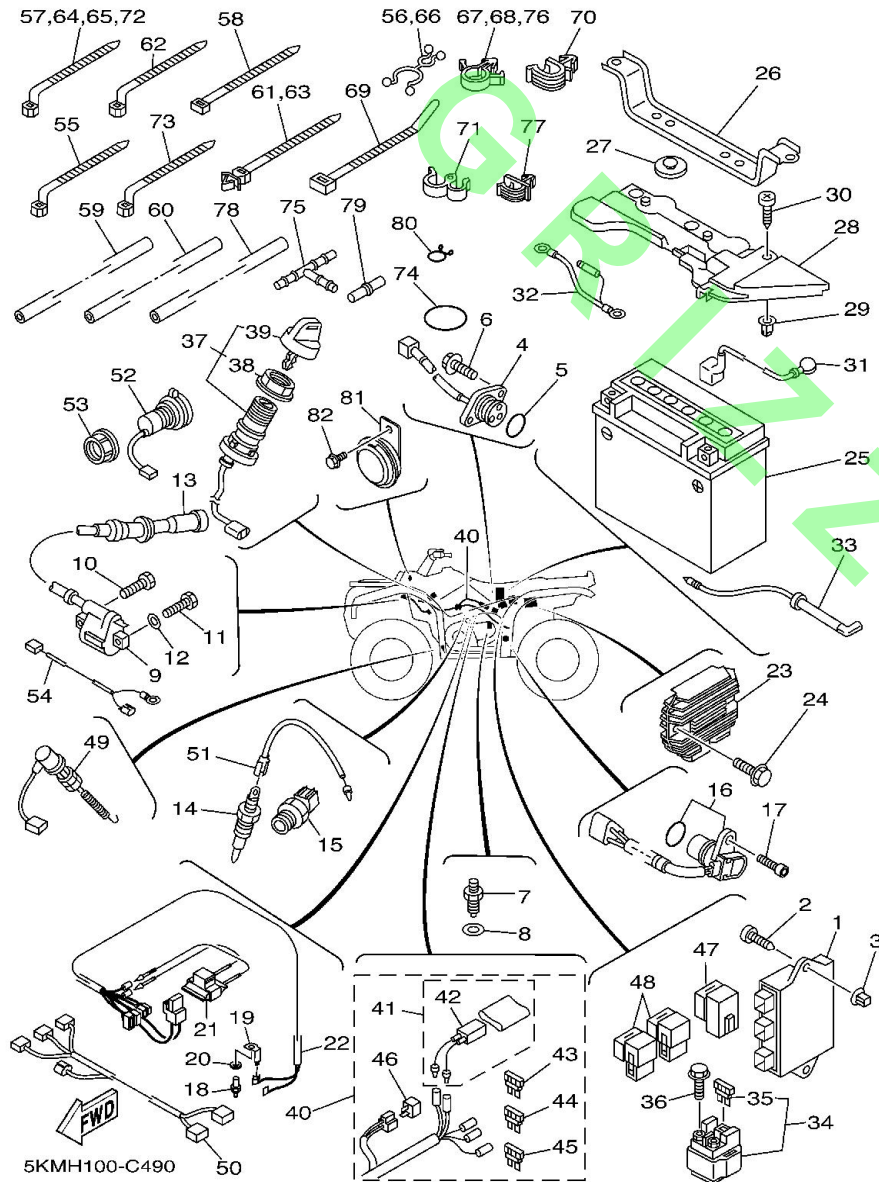
| Ref. No. | Part No. | Description | Quantity | Remarks |
|----------|--------------|--------------------------------|----------|---------|
| 1 | 5KM-85540-10 | C.D.I. UNIT ASSY | 1 | |
| 2 | 97707-60025 | SCREW, TAPPING | 1 | |
| 3 | 90338-08226 | PLUG | 1 | |
| 4 | 5KM-82540-00 | NEUTRAL SWITCH ASSY | 1 | |
| 5 | 93210-29196 | O-RING | 1 | |
| 6 | 90119-06044 | BOLT, WITH WASHER | 2 | |
| 7 | 3GB-82540-01 | NEUTRAL SWITCH ASSY | 1 | |
| 8 | 90430-10148 | GASKET | 1 | |
| 9 | 3KJ-82310-10 | IGNITION COIL ASSY | 1 | |
| 10 | 90109-06723 | BOLT | 1 | |
| 11 | 97007-06020 | BOLT | 1 | |
| 12 | 92907-06600 | WASHER, PLATE | 1 | |
| 13 | 3YF-82370-00 | PLUG CAP ASSY | 1 | |
| 14 | 5KM-82560-00 | THERMO SWITCH ASSY | 1 | |
| 15 | 5GM-82560-00 | THERMO SWITCH ASSY | 1 | |
| 16 | 5UG-83755-01 | SENSOR, SPEED | 1 | |
| 17 | 91317-06016 | BOLT | 1 | |
| 23 | 5BN-81960-00 | RECTIFIER & REGULATOR ASSY | 1 | |
| 24 | 95807-06020 | BOLT, FLANGE | 1 | |
| 25 | 4SH-82100-22 | BATTERY ASSY (YUASA YTX20L-BS) | 1 | |
| 26 | 5KM-82128-00 | BRACKET, BATTERY | 1 | |
| 27 | 371-82121-00 | PAD, BATTERY | 2 | |
| 28 | 5KM-82129-00 | COVER, BATTERY | 1 | |
| 29 | 90338-08226 | PLUG | 1 | |
| 30 | 97707-60016 | SCREW, TAPPING | 1 | |
| 31 | 5KM-82115-00 | WIRE, PLUS LEAD | 1 | |
| 32 | 5KM-82116-00 | WIRE, MINUS LEAD | 1 | |

Fig. 49 ELECTRICAL 1



| Ref. No. | Part No. | Description | | Remarks |
|----------|----------|--------------|-------------------------------|---------|
| | 33 | 5KM-82541-00 | WIRE, LEAD | 1 |
| | 34 | 4SV-81940-12 | STARTER RELAY ASSY | 1 |
| | 35 | 1AE-82151-00 | . FUSE (30A-BL) | 2 |
| | 36 | 95027-06008 | BOLT, FLANGE | 2 |
| | 37 | 5KM-82510-00 | MAIN SWITCH ASSY | 1 |
| | 38 | 3HN-82569-00 | . NUT, MAIN SWITCH | 1 |
| | 39 | 3HN-82579-00 | . CAP, KEY | 1 |
| | 40 | 5KM-82590-20 | WIRE HARNESS ASSY | 1 |
| | 41 | 5GT-82180-00 | . CIRCUIT BREAKER ASSY | 1 |
| | 42 | 5GT-82560-00 | .. THERMO SWITCH ASSY | 1 |
| | 43 | 5JJ-82151-10 | . FUSE (15A-BL) | 2 |
| | 44 | 5JJ-82151-30 | . FUSE (10A-BL) | 5 |
| | 45 | 5JJ-82151-50 | . FUSE (3A-BL) | 2 |
| | 46 | 3WP-81980-00 | . DIODE ASSY | 1 |
| | 47 | 29U-81950-93 | RELAY ASSY | 1 |
| | 48 | 5DM-81950-00 | RELAY ASSY (G8HN-1C4T-DJ-Y52) | 2 |
| | 49 | 5KM-82530-00 | STOP SWITCH ASSY | 1 |
| | 50 | 5KM-82309-00 | WIRE, SUB LEAD | 1 |
| | 51 | 5KM-82507-00 | WIRE, LEAD | 1 |
| | 52 | 5GH-8254B-00 | TERMINAL COMP. | 1 |
| | 53 | 5GH-82114-00 | NUT | 1 |
| | 54 | 5KM-82509-10 | WIRE, SUB LEAD | 1 |
| | 55 | 90464-12045 | CLAMP | 2 |
| | 56 | 90464-35047 | CLAMP | 1 |
| | 57 | 90464-15195 | CLAMP | 1 |
| | 58 | 437-83936-01 | BAND, SWITCH CORD | 4 |
| | 59 | 90445-07371 | HOSE (L700) | 1 |

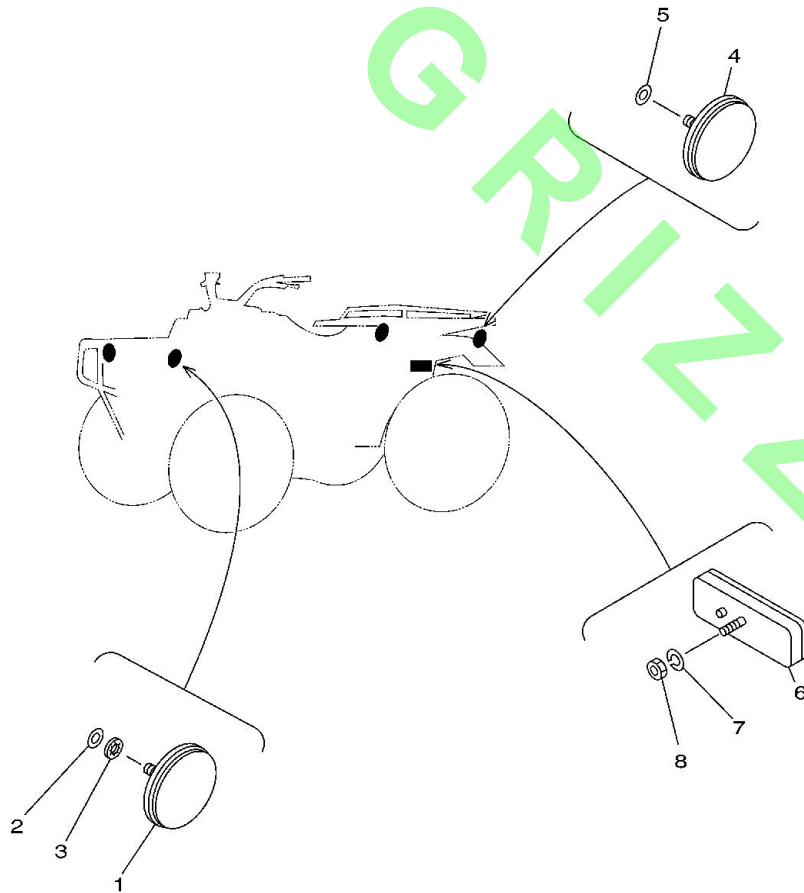
Fig. 49 ELECTRICAL 1



| Ref. No. | Part No. | Description | | Remarks |
|----------|-----------------|-------------|---|---------|
| | 60 90445-07176 | HOSE (L200) | 1 | |
| | 61 90464-12089 | CLAMP | 1 | |
| | 62 90460-15126 | CLAMP, HOSE | 1 | |
| | 63 90464-12089 | CLAMP | 2 | |
| | 64 90464-15195 | CLAMP | 1 | |
| | 65 90464-15195 | CLAMP | 1 | |
| | 66 90464-35047 | CLAMP | 1 | |
| | 67 90464-15157 | CLAMP | 1 | |
| | 68 90464-15157 | CLAMP | 1 | |
| | 69 90465-10098 | CLAMP | 1 | |
| | 70 90464-14M55 | CLAMP | 1 | |
| | 71 90468-15139 | CLIP | 1 | |
| | 72 90464-15195 | CLAMP | 1 | |
| | 73 90464-13073 | CLAMP | 1 | |
| | 74 93210-975A9 | O-RING | 1 | |
| | 75 90413-05014 | WAY 3 | 1 | |
| | 76 90464-15157 | CLAMP | 1 | |
| | 77 90464-07001 | CLAMP | 1 | |
| | 78 90446-09155 | HOSE (L970) | 1 | |
| | 79 5KM-82109-00 | JOINT, HOSE | 2 | |
| | 80 90467-08021 | CLIP | 1 | |

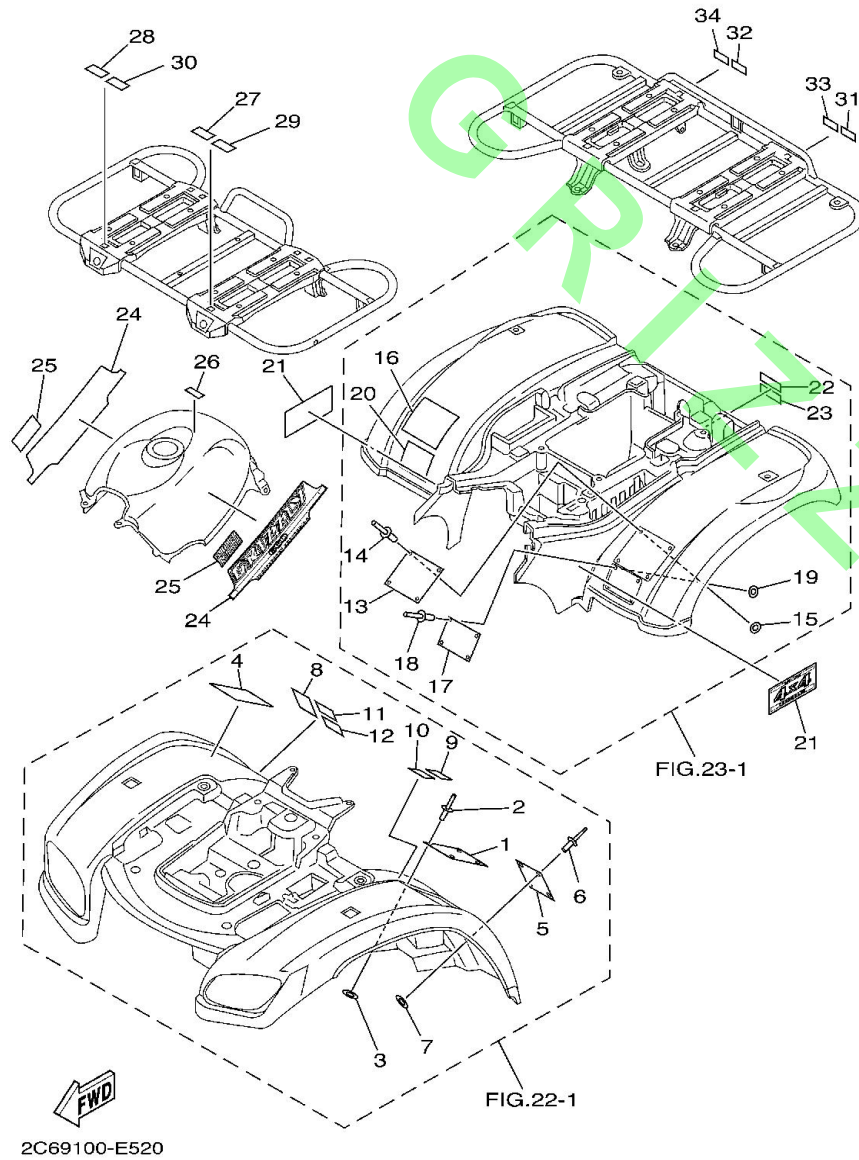
Fig. 50 ELECTRICAL 2

| Ref. No. | Part No. | Description | | Remarks |
|----------|--------------|---------------------|---|---------|
| 1 | 2EK-85111-00 | REFLECTOR, FRONT 1 | 2 | |
| 2 | 92907-05200 | WASHER | 2 | |
| 3 | 90183-05024 | NUT, SPRING | 2 | |
| 4 | 449-85131-02 | REFLECTOR, REAR 1 | 2 | |
| 5 | 92907-05200 | WASHER | 2 | |
| 6 | 3Y6-85130-02 | REAR REFLECTOR ASSY | 1 | |
| 7 | 92907-05100 | WASHER, SPRING | 1 | |
| 8 | 95307-05600 | NUT | 1 | |



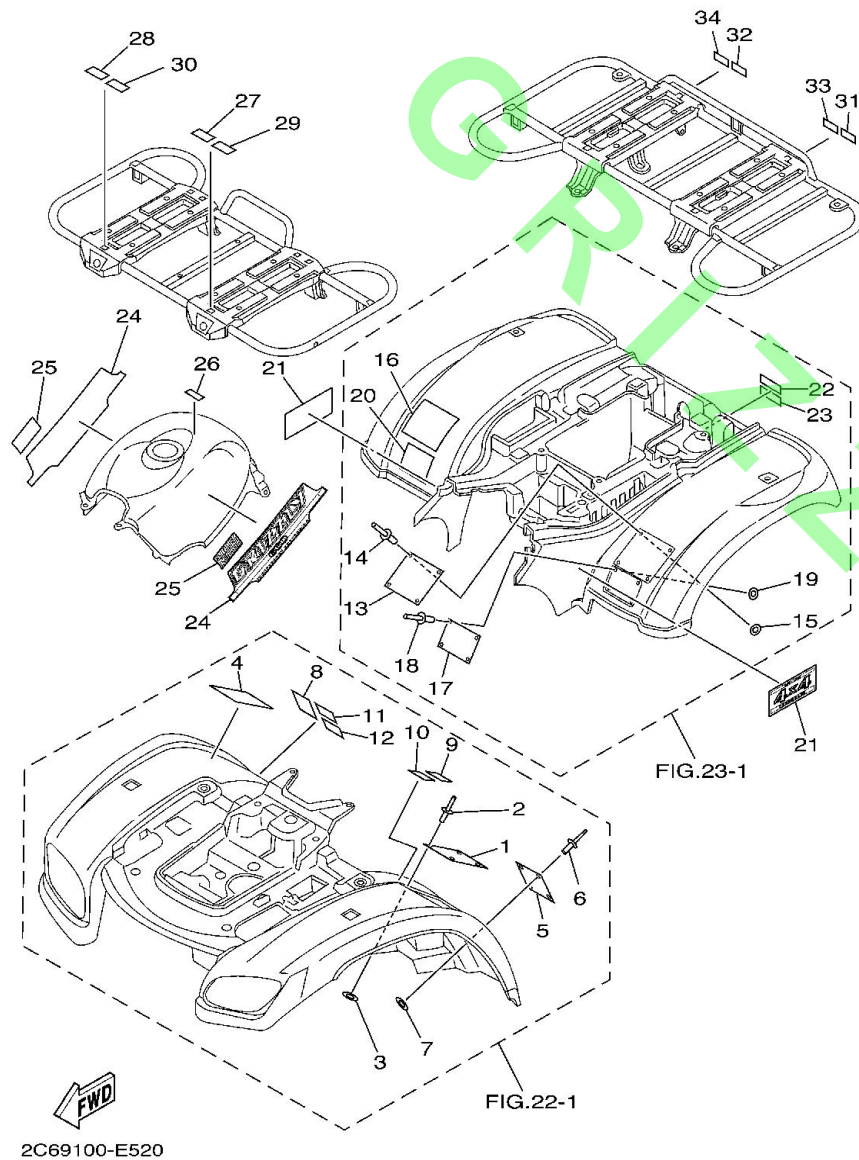
5GH3100-0480

Fig. 52 EMBLEM & LABEL 2



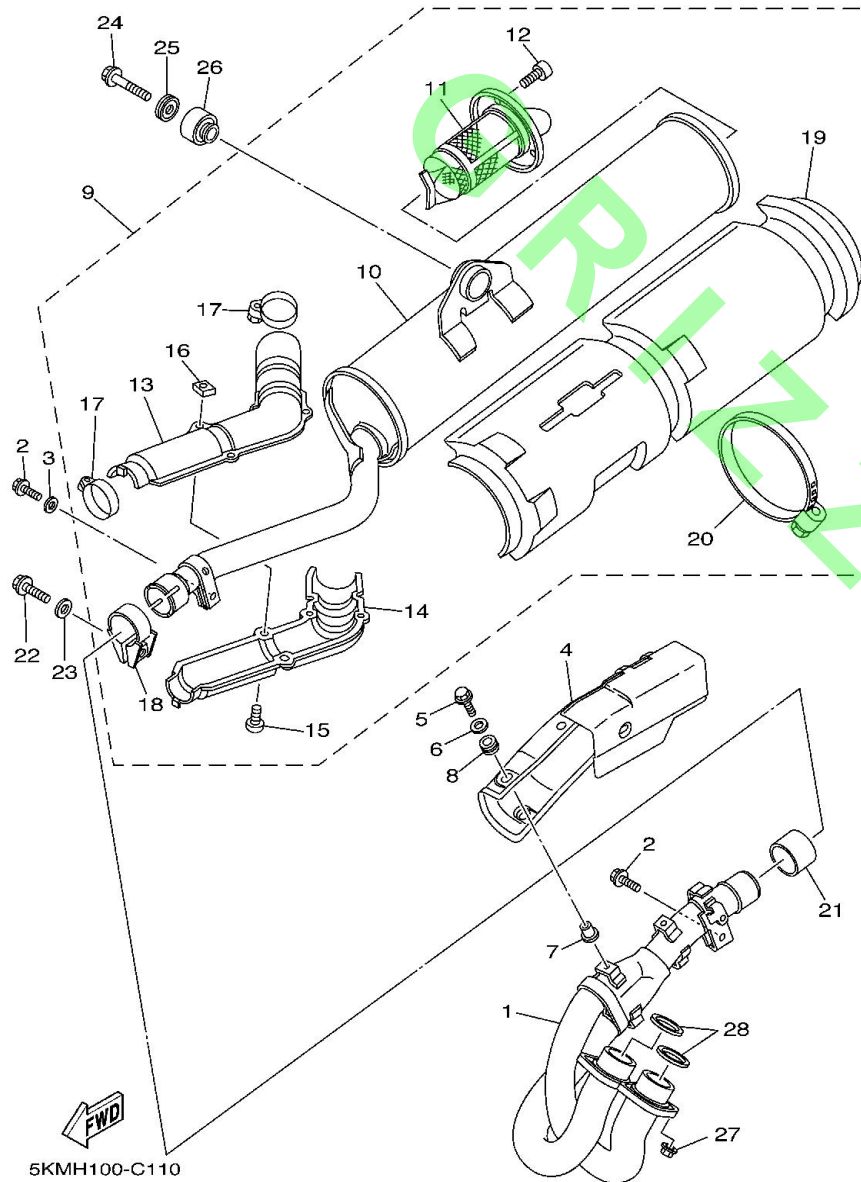
| Ref. No. | Part No. | Description | Quantity | Remarks |
|----------|--------------|-----------------------|----------|---------|
| 1 | 5FE-21568-01 | LABEL, WARNING | 1 | ENGLISH |
| 2 | 90267-32004 | RIVET, BLIND | 6 | |
| 3 | 90201-03313 | WASHER, PLATE | 6 | |
| 4 | 4WU-21568-10 | LABEL, WARNING | 1 | FRENCH |
| 5 | 5FE-21697-01 | LABEL, CAUTION 2 | 1 | ENGLISH |
| 6 | 90267-32004 | RIVET, BLIND | 4 | |
| 7 | 90201-03313 | WASHER, PLATE | 4 | |
| 8 | 3JM-21697-10 | LABEL, CAUTION 2 | 1 | FRENCH |
| 9 | 5GH-2151E-00 | LABEL 2 | 1 | ENGLISH |
| 10 | 5GH-2151E-10 | LABEL 2 | 1 | FRENCH |
| 11 | 5KM-21558-00 | LABEL, WARNING 2 | 1 | ENGLISH |
| 12 | 5KM-21558-10 | LABEL, WARNING 2 | 1 | FRENCH |
| 13 | 5KM-21696-00 | LABEL, CAUTION | 1 | ENGLISH |
| 14 | 90267-32004 | RIVET, BLIND | 4 | |
| 15 | 90201-03313 | WASHER, PLATE | 4 | |
| 16 | 5KM-21696-10 | LABEL, CAUTION | 1 | FRENCH |
| 17 | 5FE-2151H-01 | LABEL 5 | 1 | ENGLISH |
| 18 | 90267-32004 | RIVET, BLIND | 4 | |
| 19 | 90201-03313 | WASHER, PLATE | 4 | |
| 20 | 4WU-2151H-10 | LABEL 5 | 1 | FRENCH |
| 21 | 2C6-2163G-00 | EMBLEM 1 | 2 | UR PDG |
| 22 | 5KM-2151K-00 | LABEL 7 | 1 | ENGLISH |
| 23 | 5KM-2151K-10 | LABEL 7 | 1 | FRENCH |
| 24 | 2C6-2173E-00 | GRAPHIC 1 | 2 | UR PDG |
| 25 | 5KM-2173B-00 | EMBLEM 3D | 2 | |
| 26 | 4SH-2416E-00 | LABEL, CAUTION CANADA | 1 | ENGLISH |
| 27 | 3MX-24875-A0 | LABEL 1 | 1 | ENGLISH |

Fig. 52 EMBLEM & LABEL 2



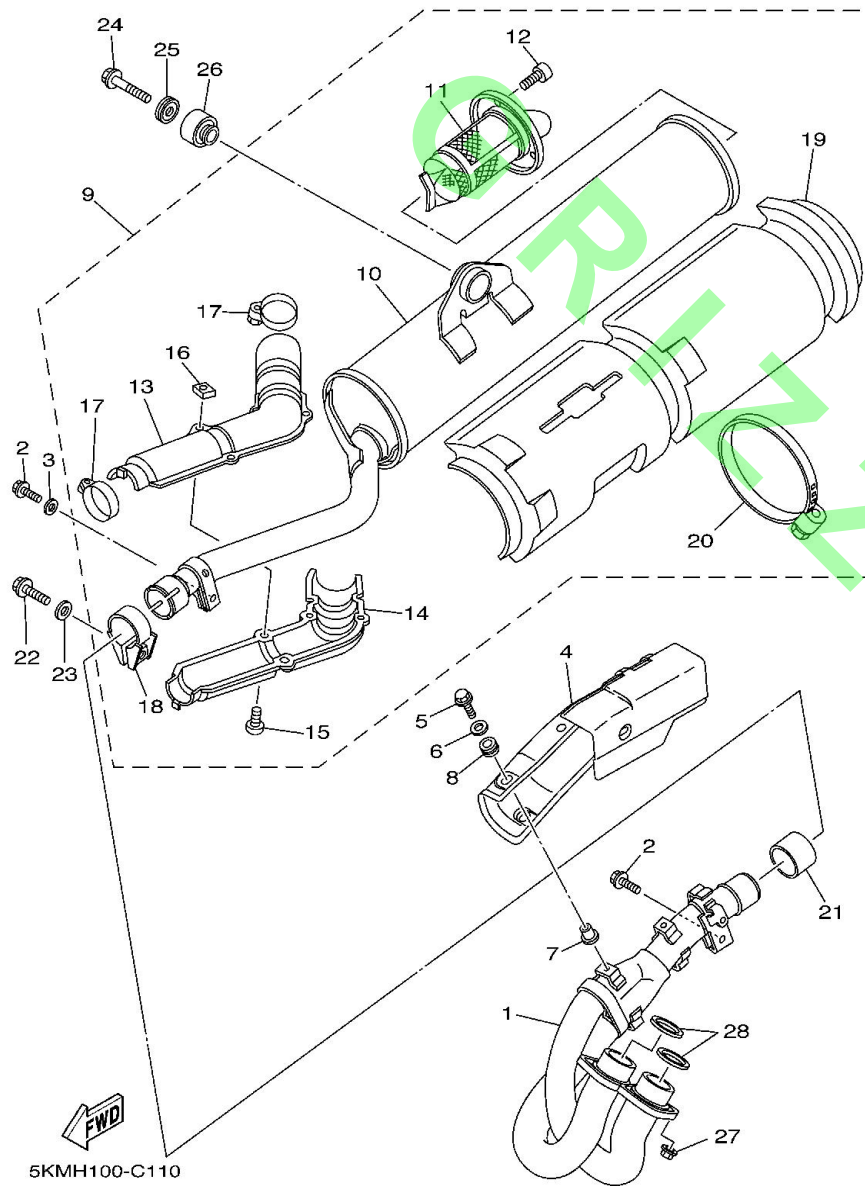
| Ref. No. | Part No. | Description | Remarks |
|----------|-----------------|----------------|-----------|
| | 28 3MX-24875-B0 | LABEL 1 | 1 FRENCH |
| | 29 3GC-24877-A0 | LABEL, CAUTION | 1 ENGLISH |
| | 30 3GC-24877-B0 | LABEL, CAUTION | 1 FRENCH |
| | 31 3MX-24875-A0 | LABEL 1 | 1 ENGLISH |
| | 32 3MX-24875-B0 | LABEL 1 | 1 FRENCH |
| | 33 4WV-24877-A0 | LABEL, CAUTION | 1 ENGLISH |
| | 34 4WV-24877-B0 | LABEL, CAUTION | 1 FRENCH |

Fig. 11 EXHAUST



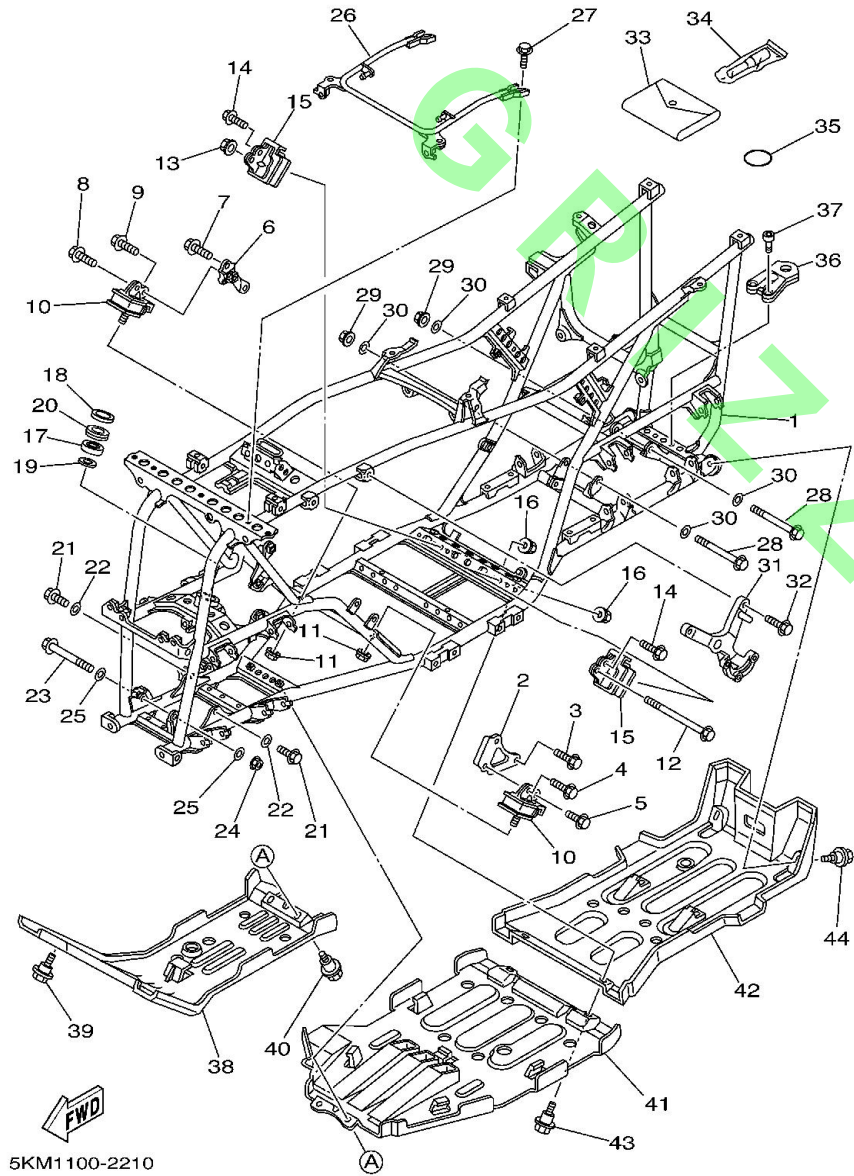
| Ref. No. | Part No. | Description | | Remarks |
|----------|-----------------|------------------------|---|---------|
| | 1 5KM-14611-10 | PIPE, EXHAUST 1 | 1 | |
| | 2 95817-06020 | BOLT, FLANGE | 2 | |
| | 3 90201-06778 | WASHER, PLATE | 1 | |
| | 4 5KM-14627-00 | COVER, EXHAUST | 1 | |
| | 5 95827-06016 | BOLT, FLANGE | 6 | |
| | 6 90201-06778 | WASHER, PLATE | 6 | |
| | 7 90387-061V4 | COLLAR | 6 | |
| | 8 90480-01009 | GROMMET | 6 | |
| | 9 5KM-14711-10 | MUFFLER 1 | 1 | |
| | 10 5KM-14721-00 | . MUFFLER 1 | 1 | |
| | 11 5KM-14752-00 | . PIPE, OUTLET | 1 | |
| | 12 91380-06010 | . BOLT | 3 | |
| | 13 5KM-14718-10 | . PROTECTOR, MUFFLER 1 | 1 | |
| | 14 5KM-14728-10 | . PROTECTOR, MUFFLER 2 | 1 | |
| | 15 98507-06010 | . SCREW, PAN HEAD | 4 | |
| | 16 90173-06015 | . NUT, SQUARE | 4 | |
| | 17 90450-32008 | . HOSE CLAMP ASSY | 2 | |
| | 18 5KM-14715-00 | . BAND, MUFFLER | 1 | |
| | 19 5KM-14738-00 | . PROTECTOR, MUFFLER 3 | 1 | |
| | 20 5KM-14788-00 | . BAND, SILENCER | 3 | |
| | 21 3YF-14755-00 | GASKET, SILENCER | 1 | |
| | 22 95817-08025 | BOLT, FLANGE | 1 | |
| | 23 90201-086J0 | WASHER, PLATE | 1 | |
| | 24 95807-08040 | BOLT, FLANGE | 1 | |
| | 25 90209-08249 | WASHER | 1 | |
| | 26 5KM-27414-01 | DAMPER | 1 | |
| | 27 90179-08410 | NUT | 4 | |

Fig. 11 EXHAUST



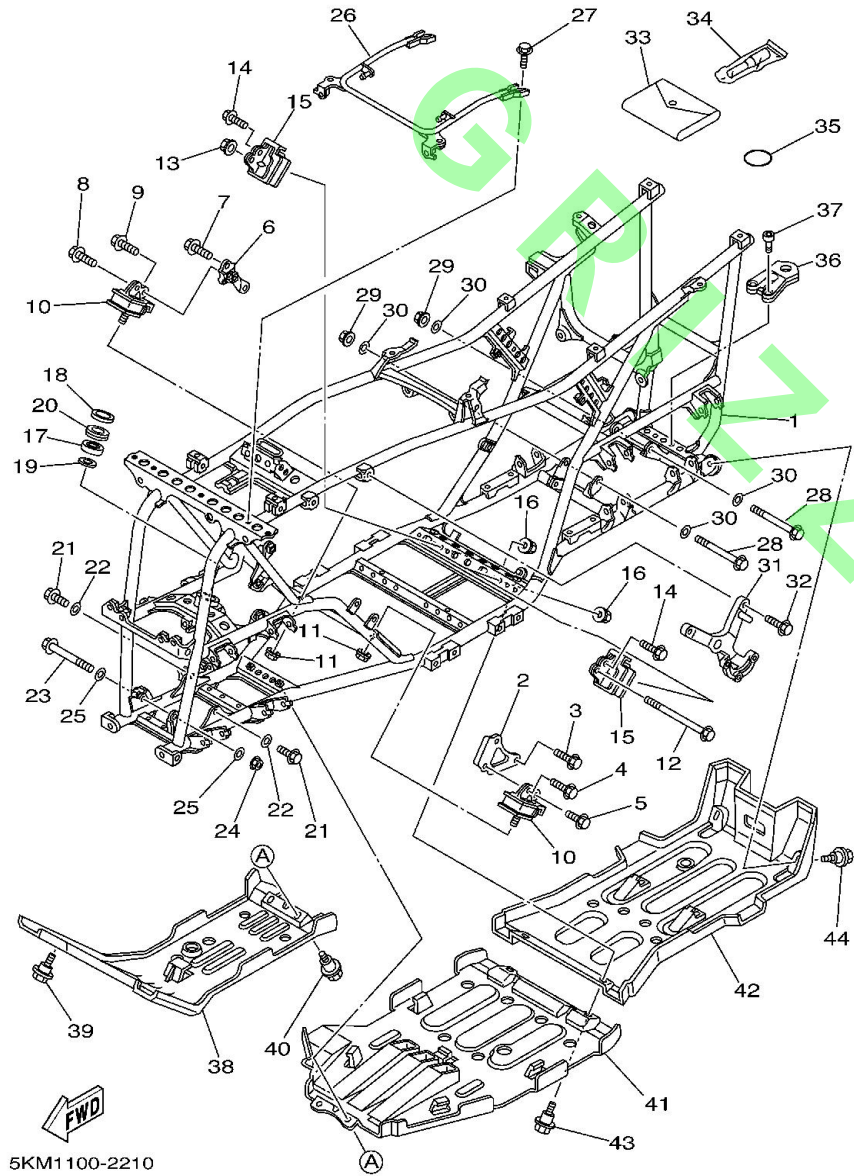
| Ref. No. | Part No. | Description | | Remarks |
|----------|-----------------|----------------------|---|---------|
| | 28 3YF-14613-01 | GASKET, EXHAUST PIPE | 2 | |
| <hr/> | | | | |
| <hr/> | | | | |
| <hr/> | | | | |
| <hr/> | | | | |
| <hr/> | | | | |
| <hr/> | | | | |
| <hr/> | | | | |
| <hr/> | | | | |
| <hr/> | | | | |

Fig. 21 FRAME



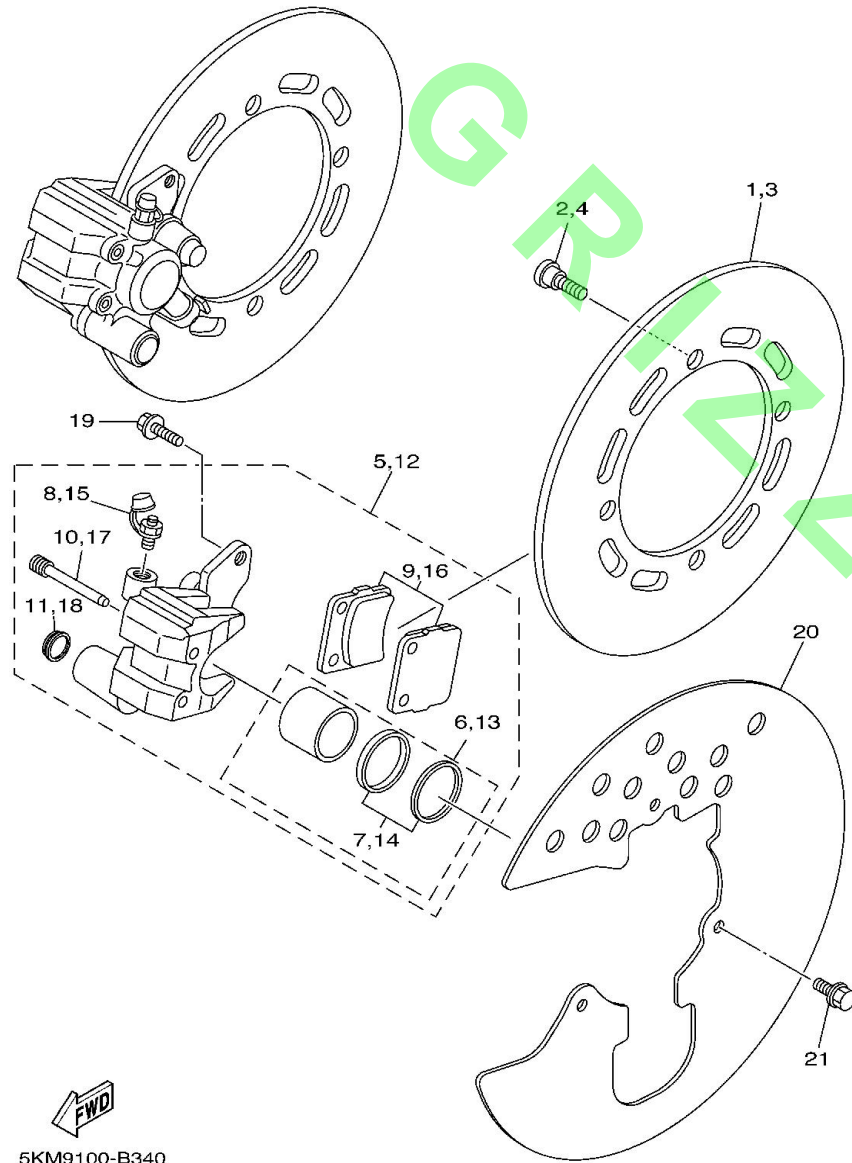
| Ref. No. | Part No. | Description | | Remarks |
|----------|--------------|------------------|---|---------|
| 1 | 5KM-21110-10 | FRAME COMP. | 1 | |
| 2 | 5KM-21315-00 | STAY, ENGINE 2 | 1 | |
| 3 | 95817-08020 | BOLT, FLANGE | 2 | |
| 4 | 95817-08016 | BOLT, FLANGE | 1 | |
| 5 | 95027-06016 | BOLT, FLANGE | 1 | |
| 6 | 5KM-21316-00 | STAY, ENGINE 3 | 1 | |
| 7 | 95817-08020 | BOLT, FLANGE | 2 | |
| 8 | 95817-08016 | BOLT, FLANGE | 1 | |
| 9 | 95027-06016 | BOLT, FLANGE | 1 | |
| 10 | 5KM-21485-10 | DAMPER, RUBBER 1 | 2 | |
| 11 | 95607-10200 | NUT, U FLANGE | 2 | |
| 12 | 90105-10300 | BOLT, FLANGE | 1 | |
| 13 | 95607-10200 | NUT, U FLANGE | 1 | |
| 14 | 95027-06016 | BOLT, FLANGE | 2 | |
| 15 | 5KM-21486-10 | DAMPER 2 | 2 | |
| 16 | 95607-10200 | NUT, U FLANGE | 2 | |
| 17 | 93306-20331 | BEARING | 1 | |
| 18 | 93102-25081 | OIL SEAL | 1 | |
| 19 | 93102-25099 | OIL SEAL | 1 | |
| 20 | 5GT-23872-00 | HOLDER, BEARING | 1 | |
| 21 | 95817-10030 | BOLT, FLANGE | 2 | |
| 22 | 90201-101J1 | WASHER, PLATE | 2 | |
| 23 | 90105-10051 | BOLT, FLANGE | 1 | |
| 24 | 95607-10200 | NUT, U FLANGE | 1 | |
| 25 | 90201-101J1 | WASHER, PLATE | 2 | |
| 26 | 5KM-21513-00 | STAY, FENDER 1 | 1 | |
| 27 | 95827-06012 | BOLT, FLANGE | 2 | |

Fig. 21 FRAME



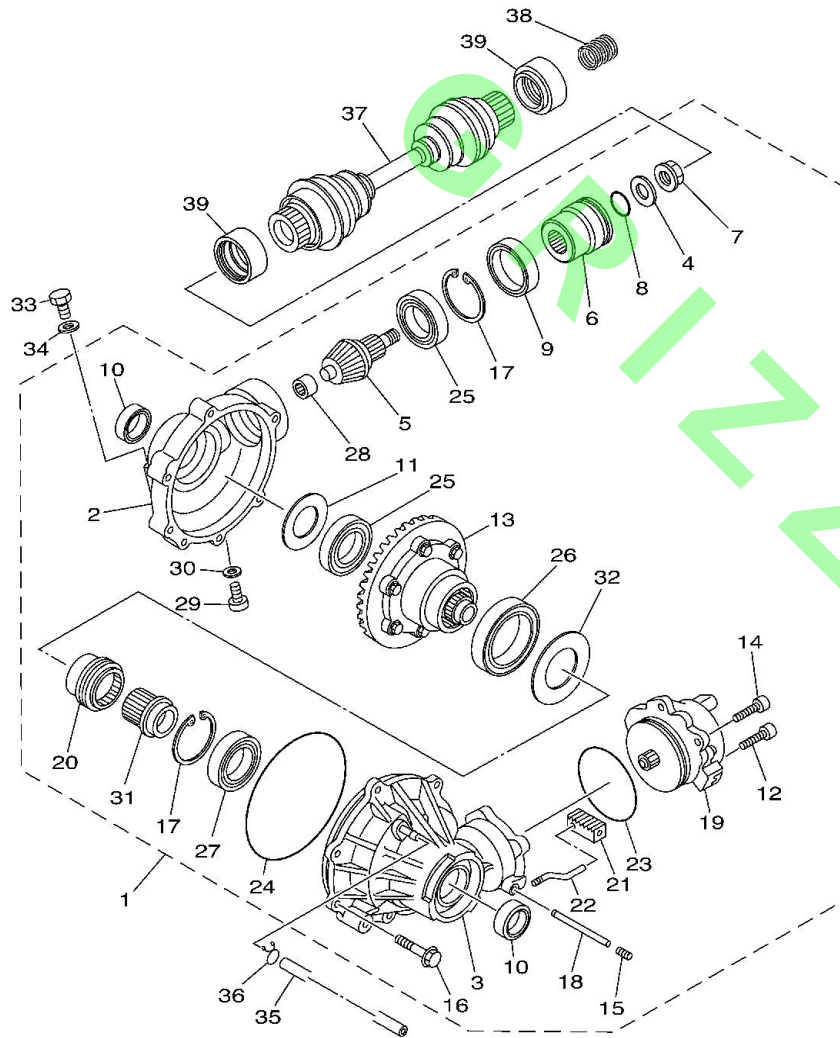
| Ref. No. | Part No. | Description | | Remarks |
|----------|-----------------|-----------------|---|---------|
| | 28 90105-10051 | BOLT, FLANGE | 2 | |
| | 29 95607-10200 | NUT, U FLANGE | 2 | |
| | 30 90201-101J1 | WASHER, PLATE | 4 | |
| | 31 5KM-21585-00 | ARM | 1 | |
| | 32 95827-08020 | BOLT, FLANGE | 2 | |
| <hr/> | | | | |
| | 33 4WV-28100-00 | TOOL KIT | 1 | |
| | 34 1NV-2811A-01 | GAUGE, AIR | 1 | |
| | 35 93210-41041 | O-RING | 1 | |
| | 36 5KM-28488-00 | HOOK | 1 | |
| | 37 91317-10025 | BOLT | 2 | |
| <hr/> | | | | |
| | 38 5KM-2147A-00 | GUARD, ENGINE 1 | 1 | |
| | 39 90109-063F1 | BOLT | 2 | |
| | 40 90109-063F5 | BOLT | 2 | |
| | 41 5KM-2147E-00 | GUARD, ENGINE 2 | 1 | |
| | 42 5KM-2147F-00 | GUARD, ENGINE 3 | 1 | |
| <hr/> | | | | |
| | 43 90109-063F5 | BOLT | 2 | |
| | 44 90109-063F1 | BOLT | 2 | |
| <hr/> | | | | |
| <hr/> | | | | |

Fig. 34 FRONT BRAKE CALIPER



| Ref. No. | Part No. | Description | | Remarks |
|----------|--------------|------------------------|---|---------|
| 1 | 5KM-2582T-10 | DISC, BRAKE (LEFT) | 1 | |
| 2 | 90109-08021 | BOLT | 4 | |
| 3 | 5KM-2582T-10 | DISC, BRAKE (LEFT) | 1 | |
| 4 | 90109-08021 | BOLT | 4 | |
| 5 | 4WV-2580T-10 | CALIPER ASSY (LEFT) | 1 | |
| 6 | 3GD-W0057-00 | . PISTON ASSY, CALIPER | 1 | |
| 7 | 3GD-W0047-00 | . . CALIPER SEAL KIT | 1 | |
| 8 | 1UY-W0048-50 | . BLEED SCREW KIT | 1 | |
| 9 | 4WV-W0045-00 | . BRAKE PAD KIT | 1 | |
| 10 | 3GD-25933-00 | . PIN, PAD | 2 | |
| 11 | 3GD-25916-00 | . PLUG | 1 | |
| 12 | 4WV-2580U-10 | CALIPER ASSY (RIGHT) | 1 | |
| 13 | 3GD-W0057-00 | . PISTON ASSY, CALIPER | 1 | |
| 14 | 3GD-W0047-00 | . . CALIPER SEAL KIT | 1 | |
| 15 | 1UY-W0048-50 | . BLEED SCREW KIT | 1 | |
| 16 | 4WV-W0045-00 | . BRAKE PAD KIT | 1 | |
| 17 | 3GD-25933-00 | . PIN, PAD | 2 | |
| 18 | 3GD-25916-00 | . PLUG | 1 | |
| 19 | 90105-08538 | BOLT, FLANGE | 4 | |
| 20 | 5KM-2514A-10 | RING, WHEEL 1 (LEFT) | 2 | |
| 21 | 90150-06021 | SCREW, ROUND HEAD | 6 | |

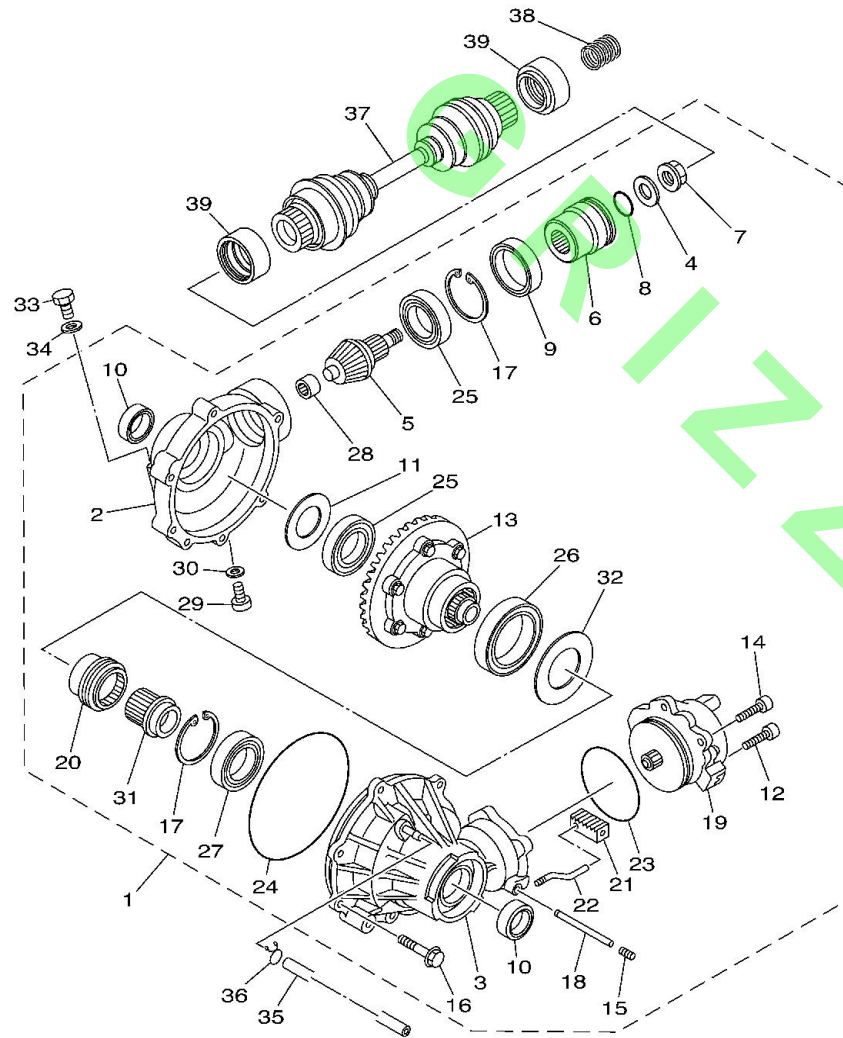
Fig. 27 FRONT DIFFERENTIAL



5KMU100-D271

| Ref. No. | Part No. | Description | | Remarks |
|----------|--------------|----------------------------|---|---------|
| 1 | 5KM-46160-12 | FRONT AXLE GEAR CASE COMP. | 1 | |
| 2 | 5KM-46161-00 | . HOUSING, SHAFT DRIVE 2 | 1 | |
| 3 | 5KM-46162-00 | . HOUSING, BEARING 2 | 1 | |
| 4 | 90201-14633 | . WASHER, PLATE | 1 | |
| 5 | 5KM-46141-11 | . PINION, DRIVE 2 | 1 | |
| 6 | 5KM-67839-00 | . CUPLING | 1 | |
| 7 | 4WV-46145-00 | . NUT 1 | 1 | |
| 8 | 93210-14359 | . O-RING | 1 | |
| 9 | 93102-48012 | . OIL SEAL | 1 | |
| 10 | 93102-24034 | . OIL SEAL | 2 | |
| 11 | 4WV-46119-01 | . SHIM, THRUST (0.1T) | 1 | UR |
| | 4WV-46119-11 | . SHIM, THRUST (0.2T) | 1 | UR |
| | 4WV-46119-21 | . SHIM, THRUST (0.3T) | 1 | UR |
| | 4WV-46119-31 | . SHIM, THRUST (0.4T) | 1 | UR |
| | 4WV-46119-41 | . SHIM, THRUST (0.5T) | 1 | UR |
| | 4WV-46119-51 | . SHIM, THRUST (1.0T) | 1 | UR |
| 12 | 5KM-46155-00 | . BOLT 1 | 1 | |
| 13 | 5KM-46470-12 | . LIMITED SLIP DIFF. ASSY | 1 | |
| 14 | 91317-08020 | . BOLT | 2 | |
| 15 | 90113-08004 | . BOLT, SET | 1 | |
| 16 | 4WV-46159-00 | . BOLT 3 | 6 | |
| 17 | 5KM-46143-00 | . RING,HOLE SNAP 2 | 2 | |
| 18 | 5KM-42752-00 | . SHAFT | 1 | |
| 19 | 5KM-4616A-01 | . SERVO MOTOR COMP | 1 | |
| 20 | 5KM-46441-00 | . CLUTCH,DRIVEN | 1 | |
| 21 | 5KM-18319-00 | . SHAFT 2 | 1 | |
| 22 | 5KM-18514-00 | . FORK, SHIFT 4 | 1 | |

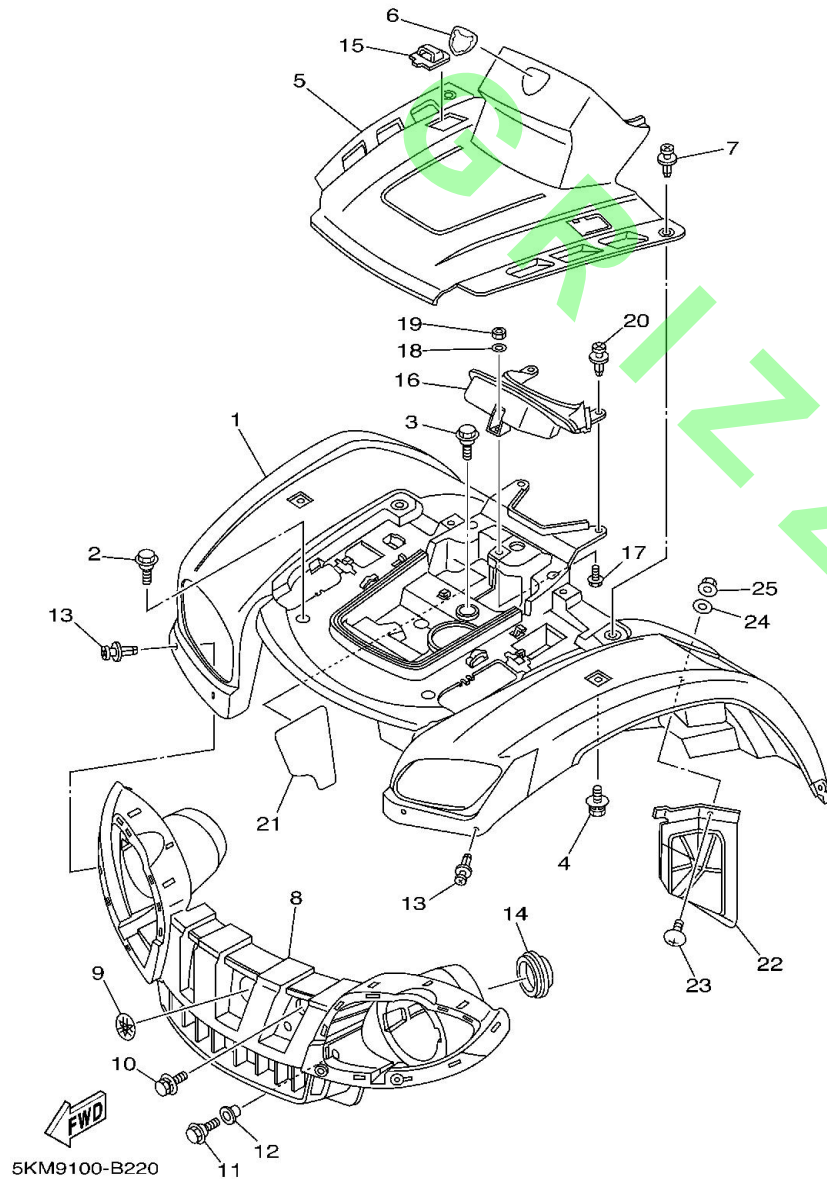
Fig. 27 FRONT DIFFERENTIAL



5KMU100-D271

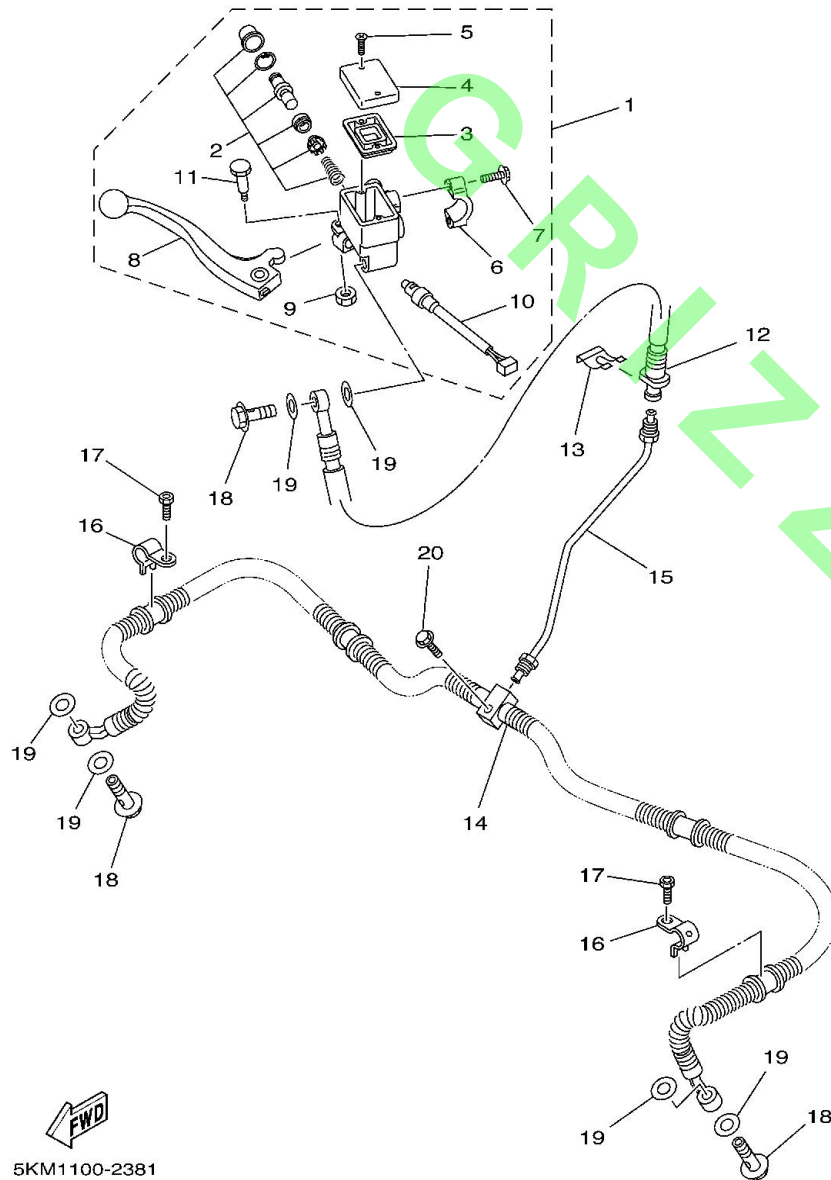
| Ref. No. | Part No. | Description | | Remarks |
|----------|--------------|------------------------|---|---------|
| 23 | 93210-82001 | . O-RING | 1 | |
| 24 | 93211-40040 | . O-RING | 1 | |
| 25 | 93306-00709 | . BEARING | 2 | |
| 26 | 93306-91201 | . BEARING | 1 | |
| 27 | 93316-00702 | . BEARING | 1 | |
| 28 | 4WV-46167-00 | . BEARING 4 | 1 | |
| 29 | 90340-10001 | . PLUG, STRAIGHT SCREW | 1 | |
| 30 | 90430-10003 | . GASKET | 1 | |
| 31 | 5KM-46451-00 | . ADAPTER | 1 | |
| 32 | 5KM-46119-01 | . SHIM, THRUST (0.1T) | 1 | UR |
| | 5KM-46119-11 | . SHIM, THRUST (0.2T) | 1 | UR |
| | 5KM-46119-21 | . SHIM, THRUST (0.3T) | 1 | UR |
| | 5KM-46119-31 | . SHIM, THRUST (0.4T) | 1 | UR |
| | 5KM-46119-41 | . SHIM, THRUST (0.5T) | 1 | UR |
| | 5KM-46119-51 | . SHIM, THRUST (1.0T) | 1 | UR |
| | 5KM-46119-61 | . SHIM, THRUST (1.5T) | 1 | UR |
| 33 | 90340-14029 | PLUG, STRAIGHT SCREW | 1 | |
| 34 | 214-11198-01 | GASKET | 1 | |
| 35 | 90445-07371 | HOSE (L700) | 1 | |
| 36 | 90467-07029 | CLIP | 1 | |
| 37 | 5KM-46173-10 | SHAFT, DRIVE 2 | 1 | |
| 38 | 90501-200A0 | SPRING, COMPRESSION | 1 | |
| 39 | 5KM-22358-00 | SEAL 1 | 2 | |

Fig. 22 FRONT FENDER



| Ref. No. | Part No. | Description | Quantity | Remarks |
|----------|-----------------|---------------------|----------|--------------|
| | 1 5KM-W215C-00 | FRONT FENDER COMP.2 | 1 | UR FOR PDG |
| | 5KM-W215C-10 | FRONT FENDER COMP.2 | 1 | UR FOR RTR |
| | 5KM-W215C-40 | FRONT FENDER COMP.2 | 1 | UR FOR DPBSN |
| | 2 90109-063F1 | BOLT | 2 | |
| | 3 90109-063F1 | BOLT | 1 | |
| | 4 90119-06056 | BOLT, WITH WASHER | 2 | |
| | 5 5KM-23391-00 | PANEL, FRONT | 1 | |
| | 6 5FE-26232-00 | EMBLEM 3D | 1 | |
| | 7 90269-07076 | RIVET | 2 | |
| | 8 5KM-28309-10 | GRILLE, FRONT | 1 | |
| | 9 5KM-2175B-00 | TUNING FORK MARK | 1 | |
| | 10 90119-06056 | BOLT, WITH WASHER | 2 | |
| | 11 95807-06016 | BOLT, FLANGE | 2 | |
| | 12 90387-06648 | COLLAR | 2 | |
| | 13 90269-07076 | RIVET | 4 | |
| | 14 5GH-28349-00 | CAP | 2 | |
| | 15 5KM-23338-00 | CAP, SIDE 1 | 2 | |
| | 16 5KM-2837L-00 | PANEL, CONSOLE 1 | 1 | |
| | 17 90109-063F5 | BOLT | 1 | |
| | 18 90201-07081 | WASHER, PLATE | 1 | |
| | 19 95317-06600 | NUT | 1 | |
| | 20 90269-07076 | RIVET | 2 | |
| | 21 5KM-21575-10 | SEAL 1 | 1 | |
| | 22 5KM-2193A-00 | PROTECTOR | 1 | |
| | 23 90149-06021 | SCREW | 1 | |
| | 24 90201-06557 | WASHER, PLATE | 1 | |
| | 25 95707-06300 | NUT, FLANGE | 1 | |

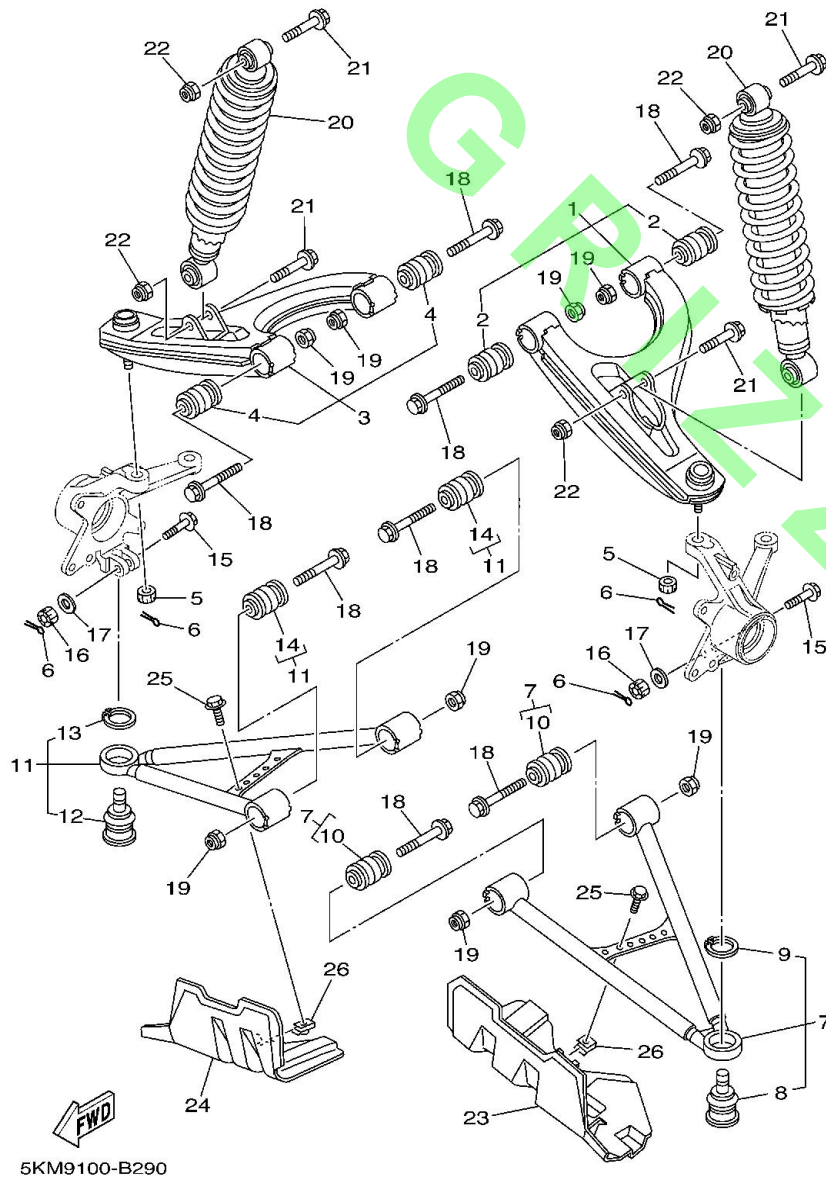
Fig. 38 FRONT MASTER CYLINDER



5KM1100-2381

| Ref. No. | Part No. | Description | | Remarks |
|----------|-----------------|----------------------------|---|---------|
| | 1 5KM-2583T-01 | MASTER CYLINDER ASSY | 1 | |
| | 2 8CR-W0041-00 | . CYLINDER KIT, MASTER | 1 | |
| | 3 4L0-25854-00 | . DIAPHRAGM, RESERVOIR | 1 | |
| | 4 5JX-25852-01 | . CAP, RESERVOIR | 1 | |
| | 5 98706-04012 | . SCREW, FLAT HEAD | 2 | |
| | 6 5GH-25867-00 | . BRACKET, MASTER CYLINDER | 1 | |
| | 7 5EB-26332-00 | . BOLT | 2 | |
| | 8 5KM-83922-00 | . LEVER 2 | 1 | |
| | 9 95606-06100 | . NUT, U | 1 | |
| | 10 5LP-83980-00 | . FRONT STOP SWITCH ASSY | 1 | |
| | 11 1FK-2589F-00 | . BOLT, LEVER | 1 | |
| | 12 5KM-25872-00 | HOSE, BRAKE 1 | 1 | |
| | 13 2GU-25866-00 | CIRCLIP | 1 | |
| | 14 5KM-25873-10 | HOSE, BRAKE 2 | 1 | |
| | 15 5KM-25871-00 | PIPE, BRAKE | 1 | |
| | 16 5KM-25875-00 | HOLDER, BRAKE HOSE 1 | 2 | |
| | 17 91317-06010 | BOLT | 2 | |
| | 18 90401-10159 | BOLT, UNION | 3 | |
| | 19 90201-10118 | WASHER, PLATE | 6 | |
| | 20 95827-06025 | BOLT, FLANGE | 1 | |

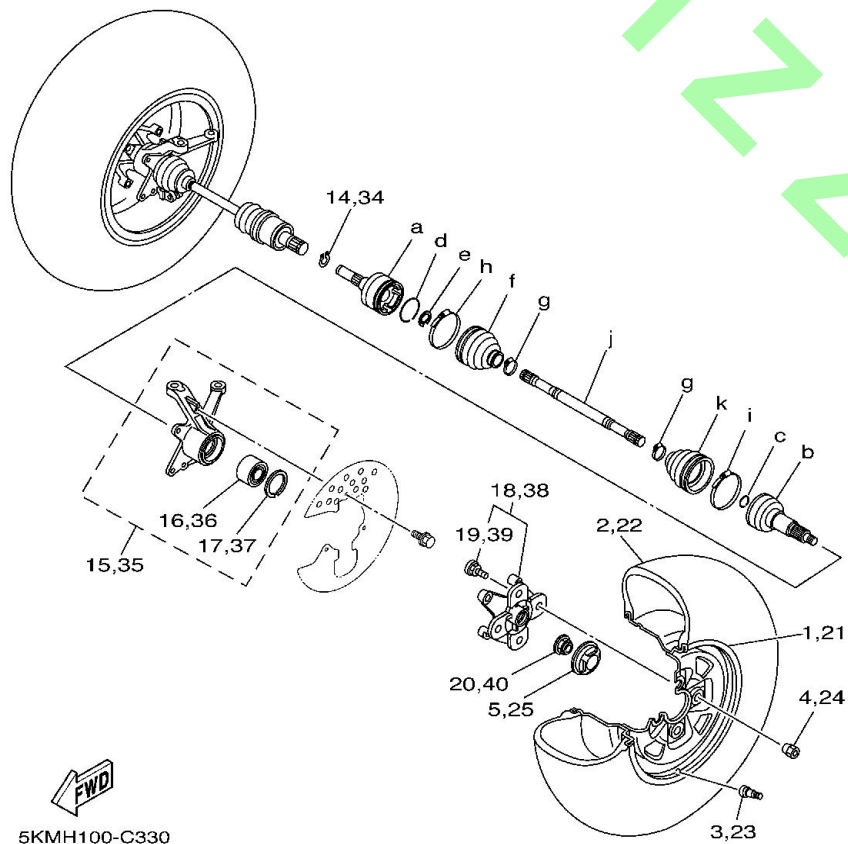
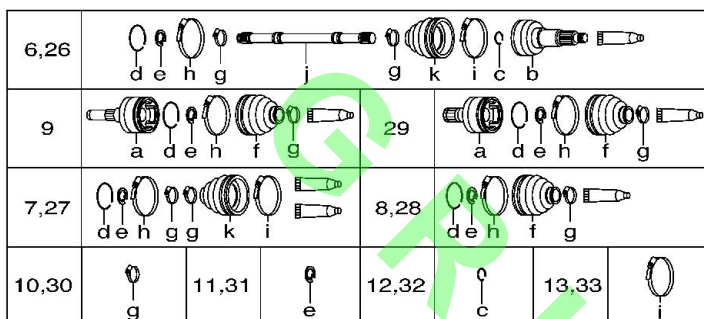
Fig. 29 FRONT SUSPENSION & WHEEL



5KM9100-B290

| Ref. No. | Part No. | Description | | Remarks |
|----------|----------|--------------|-------------------------------|---------|
| | 1 | 5KM-23540-10 | FRONT UPPER ARM COMP. (LEFT) | 1 |
| | 2 | 5KM-23526-10 | . BUSH | 2 |
| | 3 | 5KM-23550-10 | FRONT UPPER ARM COMP. (RIGHT) | 1 |
| | 4 | 5KM-23526-10 | . BUSH | 2 |
| | 5 | 90171-10046 | NUT, CASTLE | 2 |
| <hr/> | | | | |
| | 6 | 91401-20020 | PIN, COTTER | 4 |
| | 7 | 5KM-23570-10 | FRONT LOWER ARM COMP. (LEFT) | 1 |
| | 8 | 5KM-23579-00 | . BALL JOINT 2 | 1 |
| | 9 | 99009-30400 | . CIRCLIP | 1 |
| | 10 | 5KM-23526-10 | . BUSH | 2 |
| <hr/> | | | | |
| | 11 | 5KM-23580-10 | FRONT LOWER ARM COMP. (RIGHT) | 1 |
| | 12 | 5KM-23579-00 | . BALL JOINT 2 | 1 |
| | 13 | 99009-30400 | . CIRCLIP | 1 |
| | 14 | 5KM-23526-10 | . BUSH | 2 |
| | 15 | 90105-10549 | BOLT, FLANGE | 2 |
| <hr/> | | | | |
| | 16 | 95337-10600 | NUT | 2 |
| | 17 | 90201-10430 | WASHER, PLATE | 2 |
| | 18 | 90105-10286 | BOLT, FLANGE | 8 |
| | 19 | 90185-10060 | NUT, SELF-LOCKING | 8 |
| | 20 | 5KM-23350-20 | SHOCK ABSORBER ASSY | 2 |
| <hr/> | | | | |
| | 21 | 90105-10388 | BOLT, FLANGE | 4 |
| | 22 | 90185-10060 | NUT, SELF-LOCKING | 4 |
| | 23 | 5KM-23123-00 | COVER, LOWER 1 | 1 |
| | 24 | 5KM-23133-00 | COVER, LOWER 2 | 1 |
| | 25 | 95807-06012 | BOLT, FLANGE | 2 |
| <hr/> | | | | |
| | 26 | 90183-06053 | NUT, SPRING | 2 |

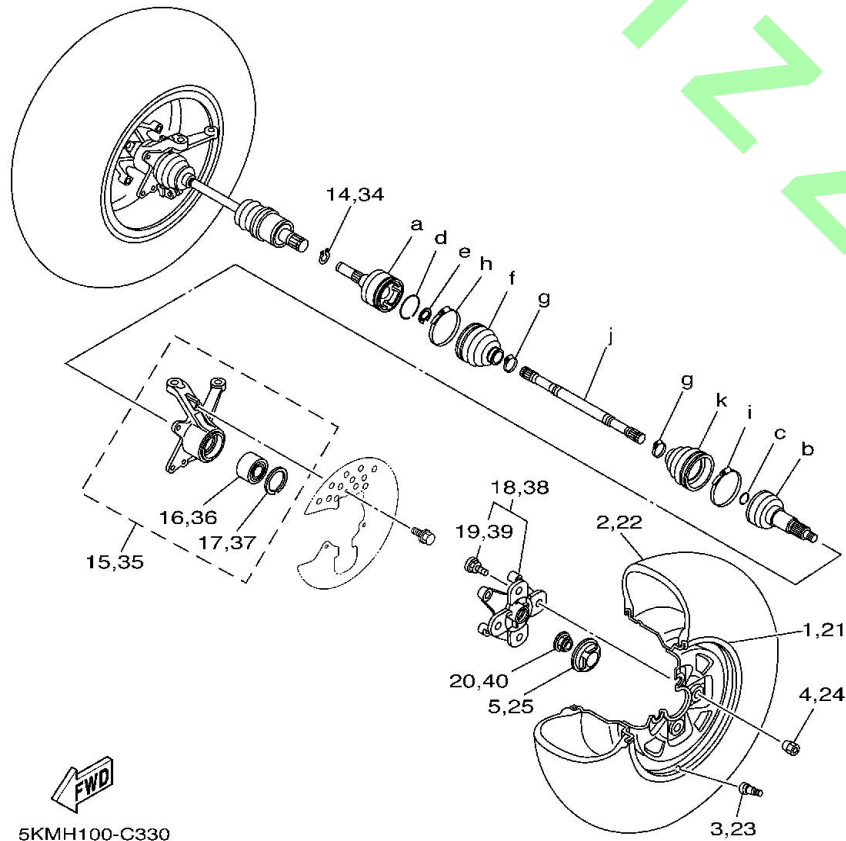
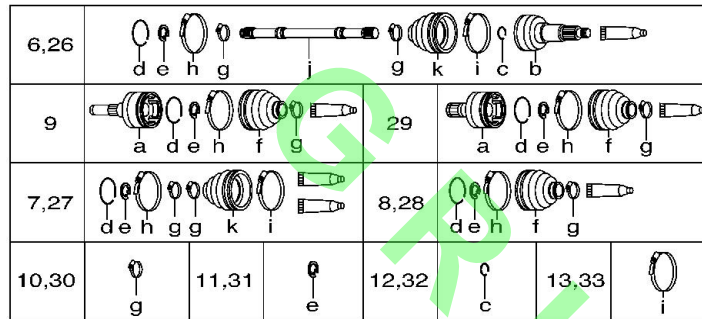
Fig. 33 FRONT WHEEL



5KMH100-C330

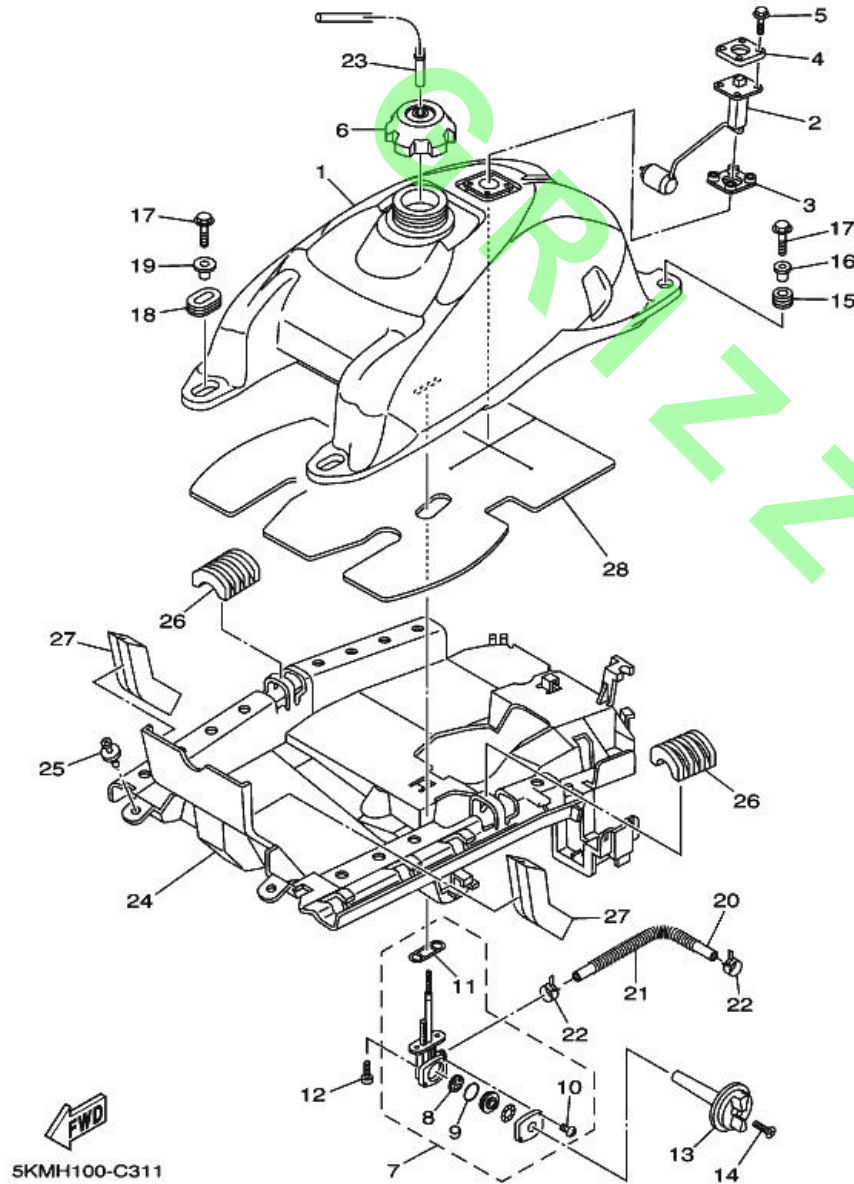
| Ref. No. | Part No. | Description | Remarks |
|----------|-----------------|--------------------------------|------------|
| | 1 5KM-25180-42 | WHEEL COMP. | 1 |
| | 2 94108-12009 | TIRE (AT 25X8-12** KT131 T/L) | 1 DUNLOP |
| | 3 93900-00030 | VALVE, RIM (TR412) | 1 TAIHEIYO |
| | 4 90179-10007 | NUT | 4 |
| | 5 5KM-2512A-00 | CAP, WHEEL | 1 |
| <hr/> | | | |
| | 6 5KM-2510F-11 | BALL JOINT SET | 1 |
| | 7 5KM-2510G-11 | BOOT SET (BALL JOINT) | 1 |
| | 8 5KM-2510H-10 | BOOT SET (DOUBLE OFFSET JOINT) | 1 |
| | 9 5KM-2510J-30 | DOUBLE OFF SET JOINT | 1 LH |
| | 10 3HN-2512G-01 | BOOT BAND (SMALL) | 2 |
| <hr/> | | | |
| | 11 2HR-2512J-00 | SNAP RING | 1 |
| | 12 4KB-2512H-00 | CIRCLIP | 1 |
| | 13 3HN-2511G-01 | BOOT BAND (BALL JOINT) | 1 |
| | 14 5KM-45531-10 | CLIP, DRIVE SHAFT | 1 |
| | 15 5KM-23501-10 | STEERING KNUCKLE ASSY (LEFT) | 1 |
| <hr/> | | | |
| | 16 93305-00601 | . BEARING | 1 |
| | 17 99009-55500 | . CIRCLIP | 1 |
| | 18 5KM-25111-10 | HUB, FRONT | 1 |
| | 19 90114-10010 | . BOLT, SERRATION | 4 |
| | 20 90179-20006 | NUT | 1 |
| <hr/> | | | |
| | 21 5KM-25180-42 | WHEEL COMP. | 1 |
| | 22 94108-12009 | TIRE (AT 25X8-12** KT131 T/L) | 1 DUNLOP |
| | 23 93900-00030 | VALVE, RIM (TR412) | 1 TAIHEIYO |
| | 24 90179-10007 | NUT | 4 |
| | 25 5KM-2512A-00 | CAP, WHEEL | 1 |
| <hr/> | | | |
| | 26 5KM-2510F-11 | BALL JOINT SET | 1 |
| | 27 5KM-2510G-11 | BOOT SET (BALL JOINT) | 1 |

Fig. 33 FRONT WHEEL



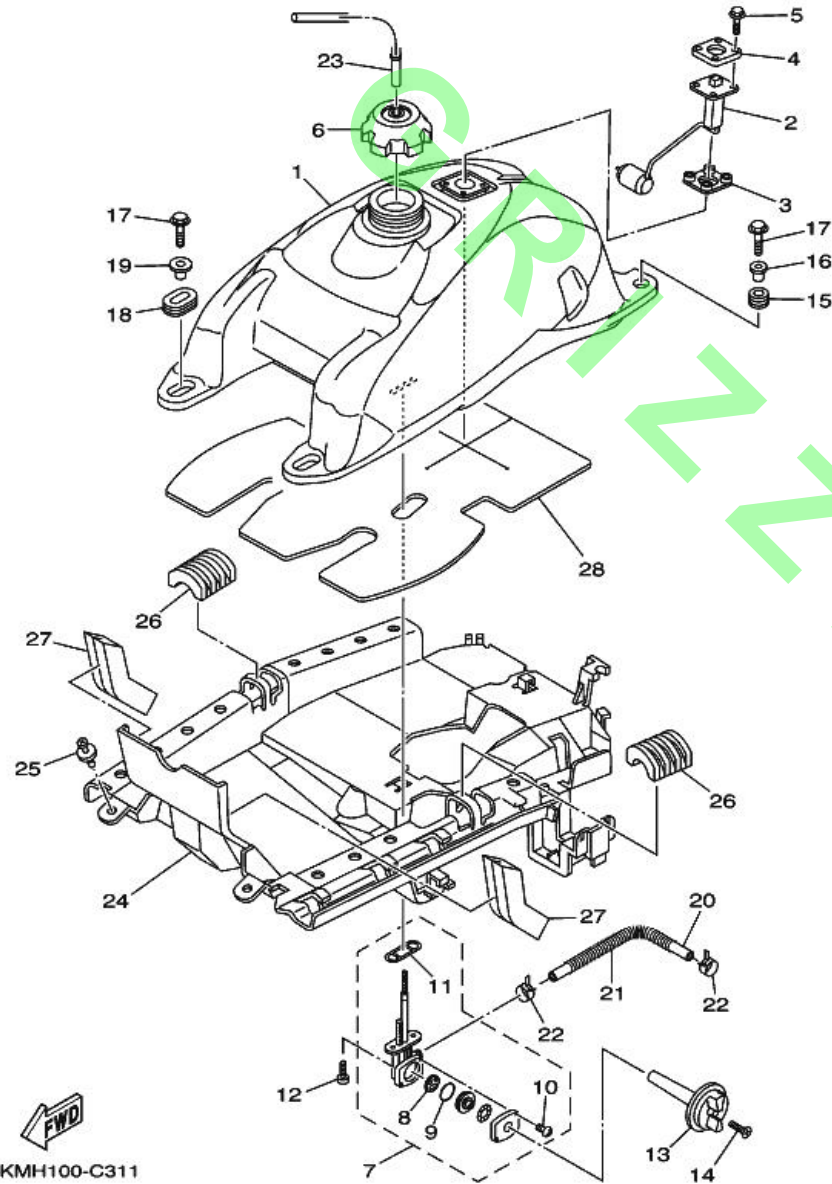
| Ref. No. | Part No. | Description | Quantity | Remarks |
|----------|----------|--------------|----------|---------|
| | 28 | 5KM-2510H-10 | 1 | |
| | 29 | 5KM-2510J-20 | 1 | RH |
| | 30 | 3HN-2512G-01 | 2 | |
| | 31 | 2HR-2512J-00 | 1 | |
| | 32 | 4KB-2512H-00 | 1 | |
| <hr/> | | | | |
| | 33 | 3HN-2511G-01 | 1 | |
| | 34 | 93450-22119 | 1 | |
| | 35 | 5KM-23502-10 | 1 | |
| | 36 | 93305-00601 | 1 | |
| | 37 | 99009-55500 | 1 | |
| <hr/> | | | | |
| | 38 | 5KM-25111-10 | 1 | |
| | 39 | 90114-10010 | 4 | |
| | 40 | 90179-20006 | 1 | |
| <hr/> | | | | |
| <hr/> | | | | |
| <hr/> | | | | |
| <hr/> | | | | |

Fig. 31 FUEL TANK



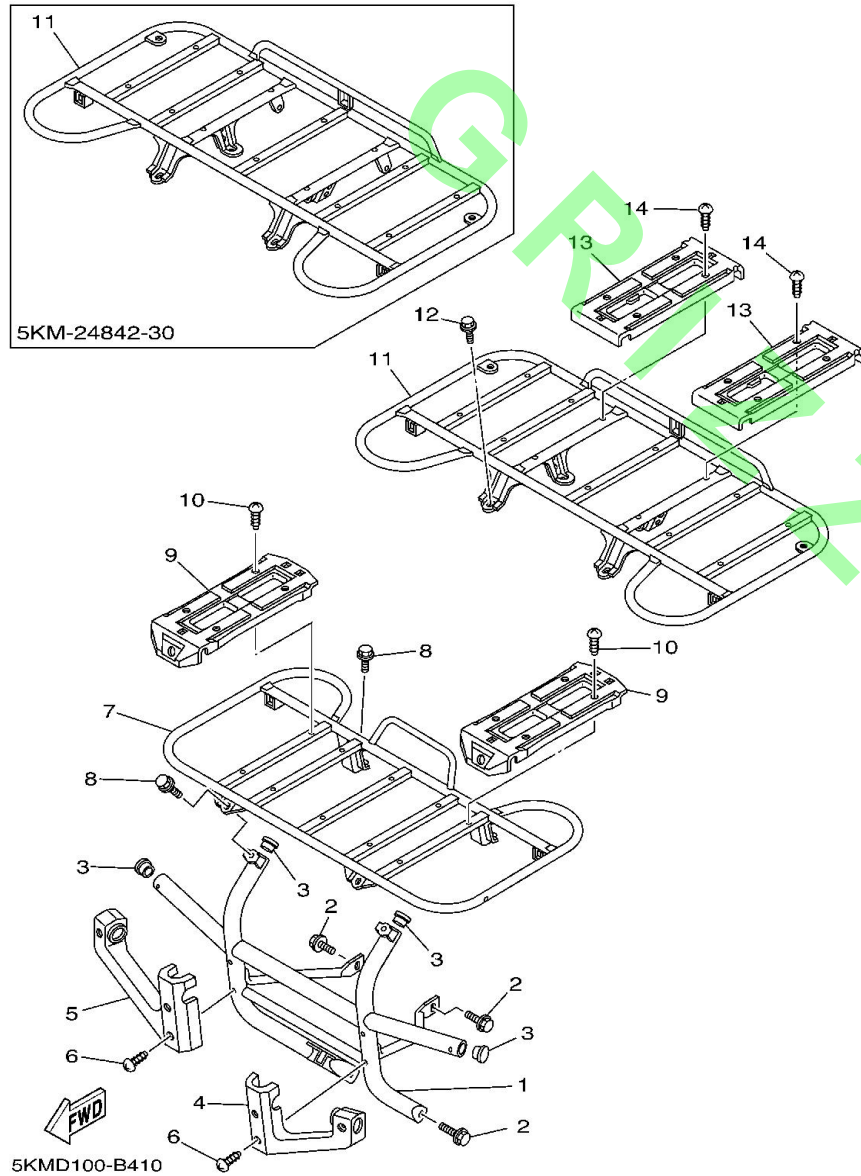
| Ref. No. | Part No. | Description | | Remarks |
|----------|-----------------|------------------------------|---|---------|
| | 1 5KM-24110-00 | FUEL TANK COMP. | 1 | |
| | 2 5KM-85752-00 | SENDER UNIT ASSY, FUEL METER | 1 | |
| | 3 4US-85753-00 | GASKET, SENDER UNIT | 1 | |
| | 4 2JG-85757-00 | RETAINER | 1 | |
| | 5 90119-05071 | BOLT, WITH WASHER | 4 | |
| | 6 5ND-24610-00 | CAP ASSY | 1 | |
| | 7 5KM-24500-01 | FUEL COCK ASSY 1 | 1 | |
| | 8 3AC-24523-00 | . VALVE PACKING | 1 | |
| | 9 3AJ-24534-01 | . SEAL, COCK | 1 | |
| | 10 98507-03014 | . SCREW, PAN HEAD | 2 | |
| | 11 4X8-24512-00 | . O-RING | 1 | |
| | 12 90149-06011 | SCREW | 2 | |
| | 13 5GH-24524-00 | LEVER, COCK | 1 | |
| | 14 98707-04018 | SCREW, FLAT HEAD | 1 | |
| | 15 90480-18290 | GROMMET | 2 | |
| | 16 90387-066J1 | COLLAR | 2 | |
| | 17 95807-06030 | BOLT, FLANGE | 4 | |
| | 18 90480-01400 | GROMMET | 2 | |
| | 19 90387-075H4 | COLLAR | 2 | |
| | 20 5KM-24311-10 | PIPE, FUEL 1 | 1 | |
| | 21 5KM-24327-02 | PROTECTOR, PIPE | 1 | |
| | 22 90467-12053 | CLIP | 2 | |
| | 23 90445-09023 | HOSE (L430) | 1 | |
| | 24 5KM-2414H-00 | DAMPER, PLATE 1 | 1 | |
| | 25 90269-07076 | RIVET | 2 | |
| | 26 5KM-24181-00 | DAMPER, LOCATING 1 | 2 | |
| | 27 5KM-24182-00 | DAMPER, LOCATING 2 | 2 | |

Fig. 31 FUEL TANK



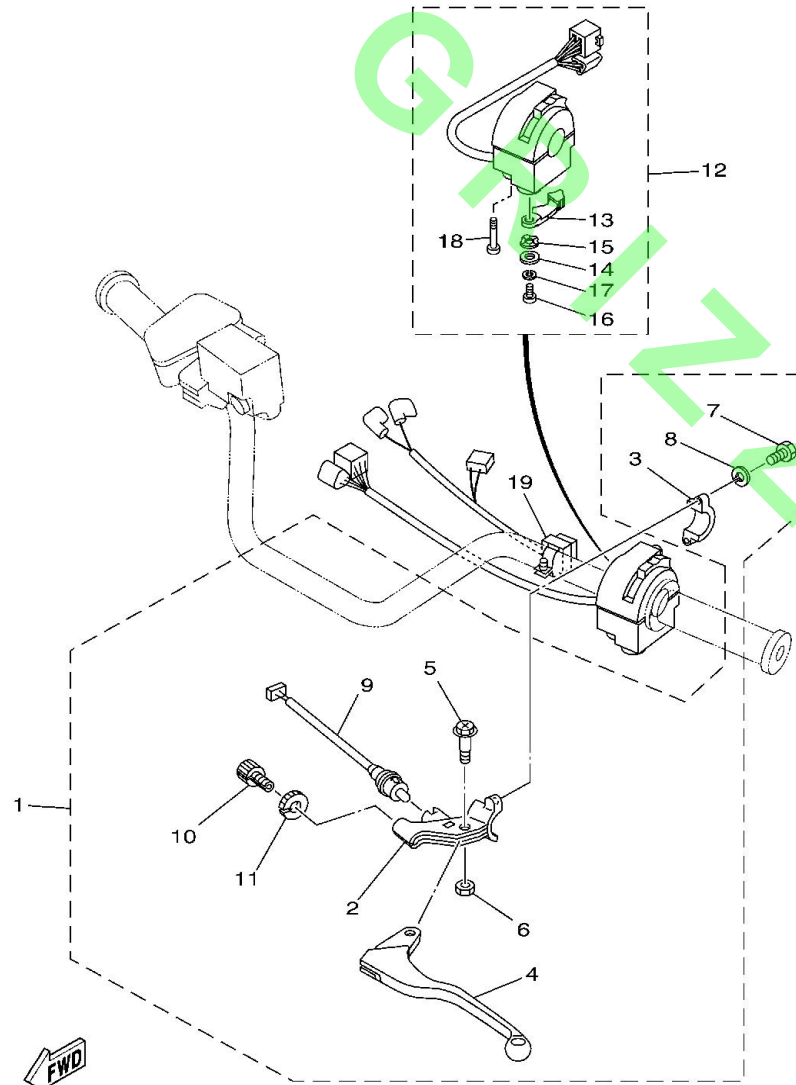
| Ref. No. | Part No. | Description | 1 | Remarks |
|----------|--------------|------------------------|---|---------|
| 28 | 5KM-2416F-00 | INSULATOR, FUEL TANK 1 | 1 | |
| | | | | |
| | | | | |
| | | | | |
| | | | | |
| | | | | |
| | | | | |
| | | | | |
| | | | | |

Fig. 41 GUARD



| Ref. No. | Part No. | Description | | Remarks |
|----------|--------------|------------------|---|---------|
| 1 | 5KM-2845N-00 | BAR, CARRY FRONT | 1 | |
| 2 | 95827-08012 | BOLT, FLANGE | 4 | |
| 3 | 5KM-2482H-00 | CAP | 4 | |
| 4 | 5KM-2842M-00 | COVER 1 | 1 | |
| 5 | 5KM-2842N-00 | COVER 2 | 1 | |
| <hr/> | | | | |
| 6 | 90167-05025 | SCREW, TAPPING | 6 | |
| 7 | 5KM-24841-10 | CARRIER, FRONT | 1 | |
| 8 | 95827-08012 | BOLT, FLANGE | 4 | |
| 9 | 5KM-24845-00 | COVER 1 | 2 | |
| 10 | 97707-50016 | SCREW, TAPPING | 8 | |
| <hr/> | | | | |
| 11 | 5KM-24842-30 | CARRIER, REAR | 1 | |
| 12 | 95827-08014 | BOLT, FLANGE | 4 | |
| 13 | 5KM-24846-00 | COVER 2 | 2 | |
| 14 | 97707-50016 | SCREW, TAPPING | 8 | |
| <hr/> | | | | |
| <hr/> | | | | |
| <hr/> | | | | |
| <hr/> | | | | |

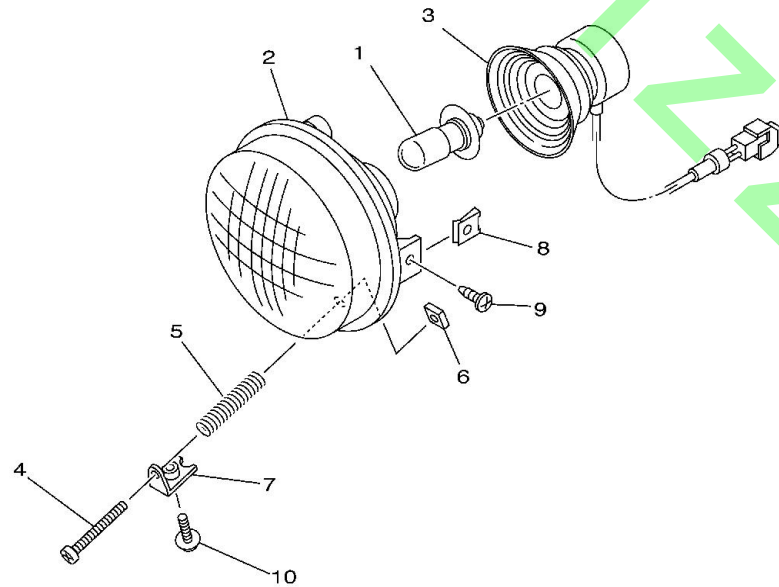
Fig. 48 HANDLE SWITCH & LEVER



5KMH100-C481

| Ref. No. | Part No. | Description | | Remarks |
|----------|--------------|--------------------------|---|---------|
| 1 | 5KM-82910-01 | LEVER HOLDER ASSY (LEFT) | 1 | |
| 2 | 1YW-82911-02 | . HOLDER, LEVER 1 | 1 | |
| 3 | 2XJ-82913-00 | . HOLDER, LEVER LOWER 1 | 1 | |
| 4 | 23X-83912-00 | . LEVER 1 | 1 | |
| 5 | 90109-06799 | . BOLT | 1 | |
| 6 | 95607-06100 | . NUT, U | 1 | |
| 7 | 98507-06020 | . SCREW, PAN HEAD | 2 | |
| 8 | 92907-06100 | . WASHER, SPRING | 2 | |
| 9 | 5KM-82917-00 | . SWITCH | 1 | |
| 10 | 90123-08046 | . BOLT | 1 | |
| 11 | 90179-08148 | . NUT | 1 | |
| 12 | 5KM-83972-00 | SWITCH, HANDLE 4 | 1 | |
| 13 | 5KM-83941-00 | . LEVER, STARTER | 1 | |
| 14 | 1UY-83909-00 | . WASHER, SPECIAL | 1 | |
| 15 | 3L4-83943-00 | . WASHER, STARTER | 1 | |
| 16 | 98507-05012 | . SCREW, PAN HEAD | 1 | |
| 17 | 92907-05100 | . WASHER, SPRING | 1 | |
| 18 | 98507-05035 | . SCREW, PAN HEAD | 2 | |

Fig. 45 HEADLIGHT

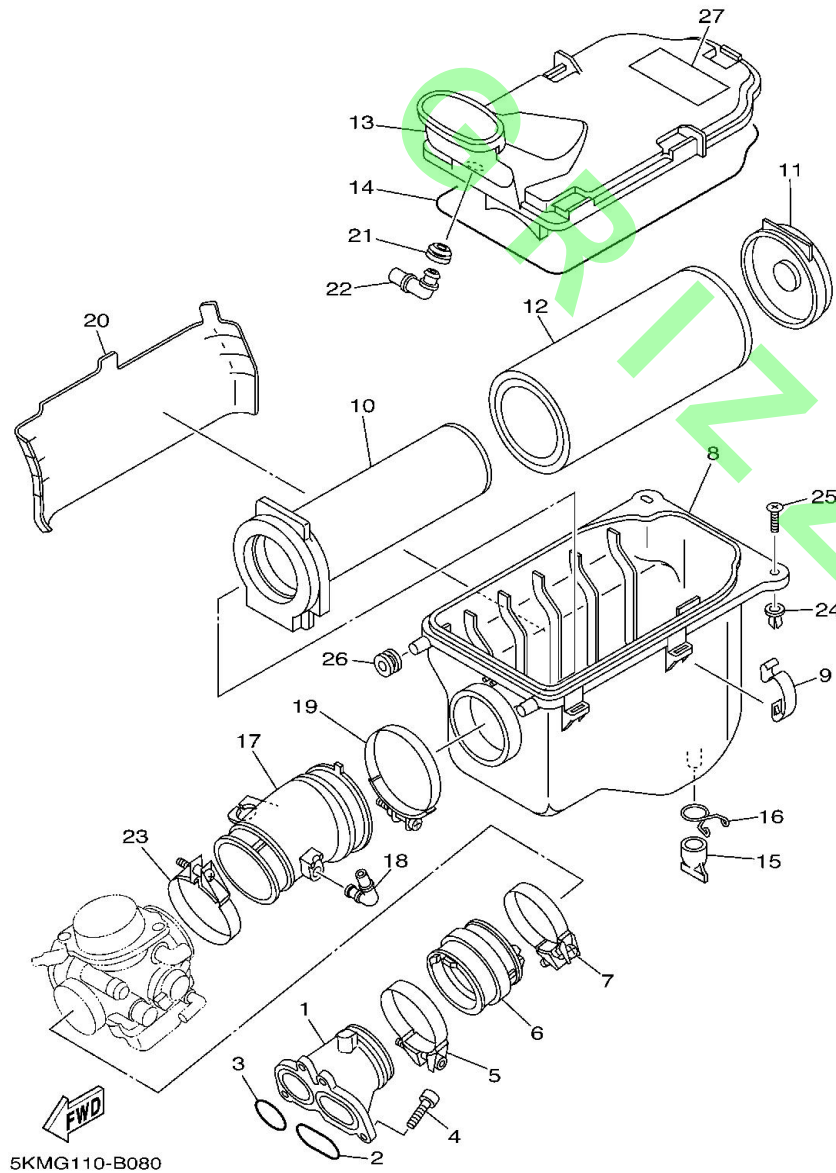


| Ref. No. | Part No. | Description | | Remarks |
|----------|--------------|--------------------|---|---------|
| 1 | 4KB-84314-01 | BULB (12V-30/30W) | 2 | |
| 2 | 5KM-84320-01 | LENS ASSY | 1 | |
| 3 | 5EH-84340-00 | SOCKET CORD ASSY 1 | 2 | |
| 4 | 98507-03540 | SCREW, PAN HEAD | 2 | |
| 5 | 2GU-84332-00 | SPRING, SCREW | 2 | |
| 6 | 2GU-84334-00 | NUT, ADJUSTING | 2 | |
| 7 | 5KM-84703-00 | BRACKET | 2 | |
| 8 | 90183-05008 | NUT, SPRING | 4 | |
| 9 | 90154-05004 | SCREW, BINDING | 4 | |
| 10 | 90159-05022 | SCREW, WITH WASHER | 2 | |



5KM1100-2450

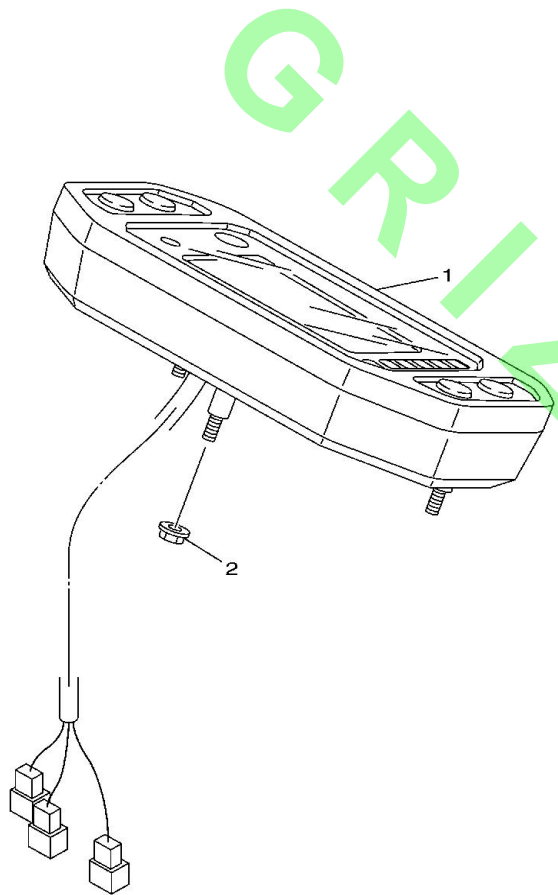
Fig. 08 INTAKE



| Ref. No. | Part No. | Description | | Remarks |
|----------|--------------|-----------------------|---|---------|
| 1 | 5KM-13586-01 | JOINT, CARBURETOR 1 | 1 | |
| 2 | 93210-44545 | O-RING | 1 | |
| 3 | 93210-321A8 | O-RING | 1 | |
| 4 | 91317-06020 | BOLT | 4 | |
| 5 | 90450-65001 | HOSE CLAMP ASSY | 1 | |
| 6 | 5KM-13596-00 | JOINT, CARBURETOR 2 | 1 | |
| 7 | 90460-59211 | CLAMP, HOSE | 1 | |
| 8 | 5KM-14411-10 | CASE, AIR CLEANER 1 | 1 | |
| 9 | 5GH-14436-00 | HOOK | 5 | |
| 10 | 1UY-14458-01 | GUIDE | 1 | |
| 11 | 1UY-14468-00 | PLATE,ELEMENT FITTING | 1 | |
| 12 | 1UY-14451-00 | ELEMENT, AIR CLEANER | 1 | |
| 13 | 5KM-14412-10 | CAP, CLEANER CASE 1 | 1 | |
| 14 | 5KM-14452-00 | SEAL | 1 | |
| 15 | 59V-14457-00 | SEAL | 1 | |
| 16 | 90467-22080 | CLIP | 1 | |
| 17 | 5KM-14453-00 | JOINT, AIR CLEANER 1 | 1 | |
| 18 | 31A-14419-00 | PIPE | 1 | |
| 19 | 90460-75020 | CLAMP, HOSE | 1 | |
| 20 | 5KM-1442F-01 | PROTECTOR | 1 | |
| 21 | 31A-14435-00 | GROMMET | 1 | |
| 22 | 5KM-14419-00 | PIPE | 1 | |
| 23 | 90450-67001 | HOSE CLAMP ASSY | 1 | |
| 24 | 90338-08226 | PLUG | 2 | |
| 25 | 97707-60025 | SCREW, TAPPING | 2 | |
| 26 | 90480-18290 | GROMMET | 2 | |

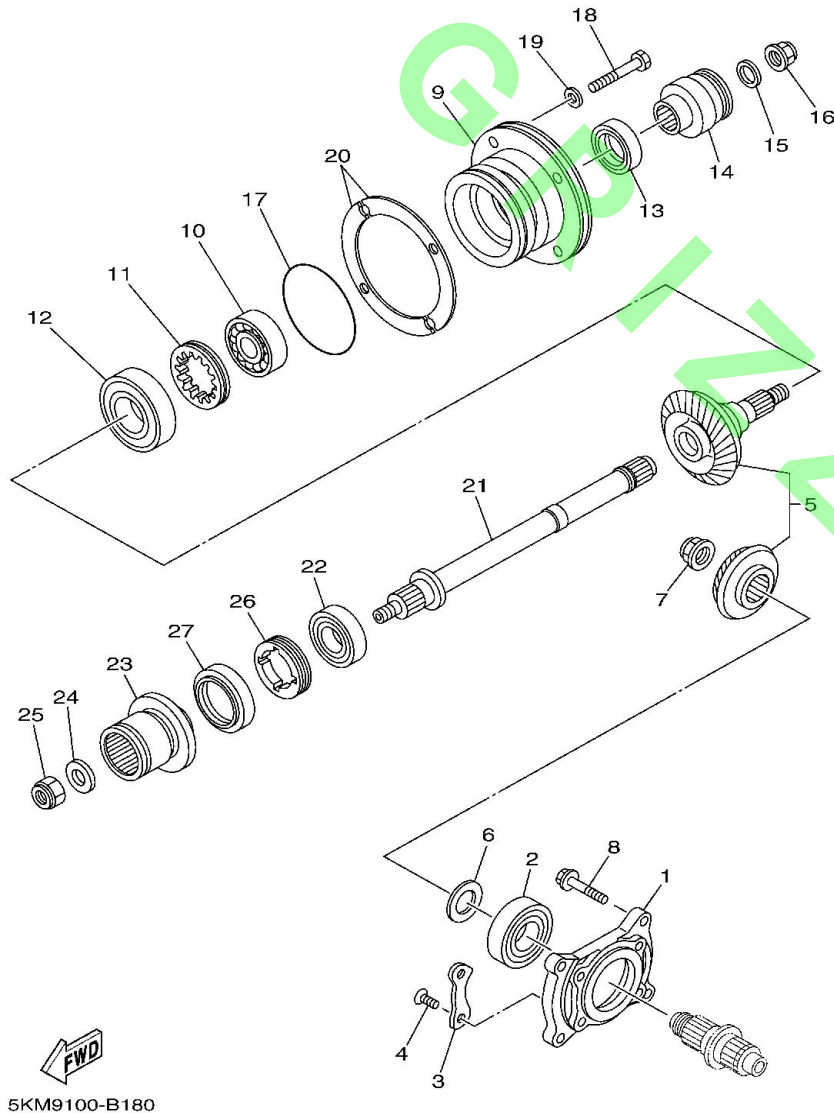
Fig. 44 METER

| Ref. No. | Part No. | Description | | Remarks |
|----------|--------------|------------------|---|---------|
| 1 | 5KM-83500-50 | SPEEDOMETER ASSY | 1 | KM/H |
| 2 | 95707-05500 | NUT, FLANGE | 3 | |
| | | | | |
| | | | | |
| | | | | |
| | | | | |
| | | | | |
| | | | | |
| | | | | |
| | | | | |



5KM9100-B440

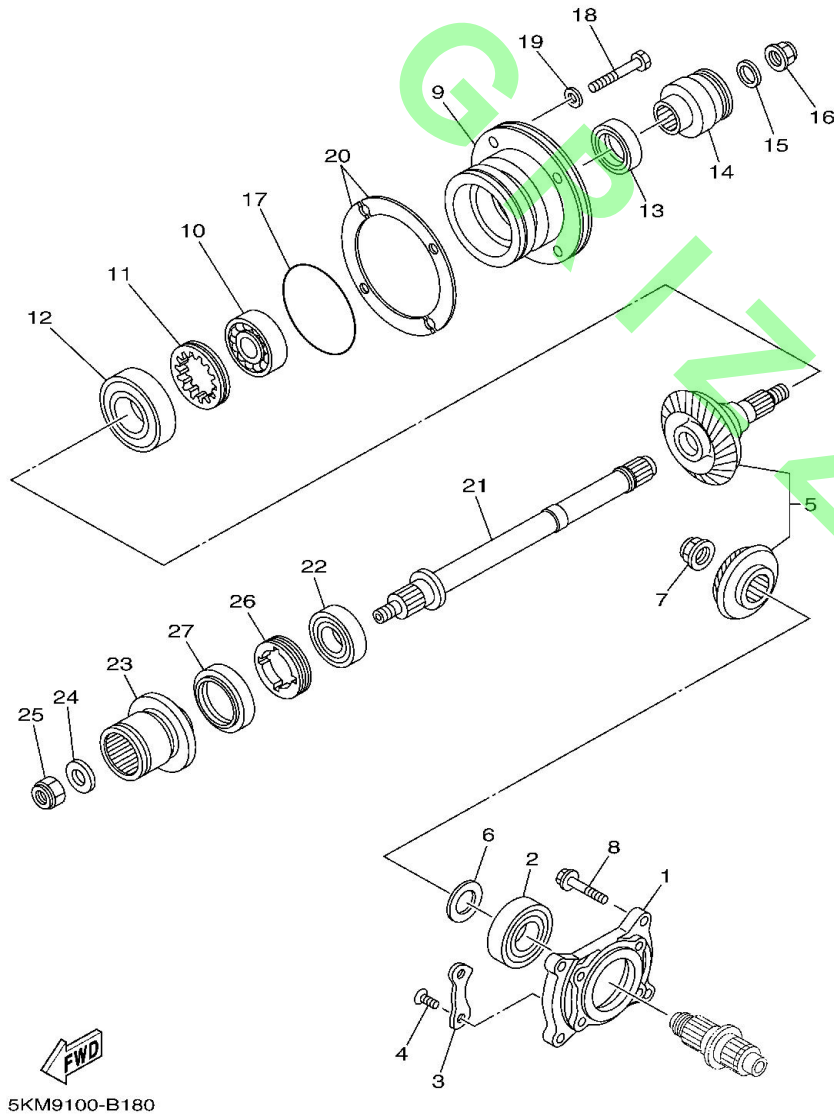
Fig. 18 MIDDLE DRIVE GEAR



5KM9100-B180

| Ref. No. | Part No. | Description | | Remarks |
|----------|--------------|----------------------|---|---------|
| 1 | 5KM-17521-00 | HOUSING, BEARING | 1 | |
| 2 | 93306-30537 | BEARING | 1 | |
| 3 | 11H-15383-02 | PLATE, BEARING COVER | 2 | |
| 4 | 90149-08152 | SCREW | 4 | |
| 5 | 5KM-Y1754-10 | MIDDLE GEAR COMP. | 1 | |
| 6 | 5KM-17531-00 | SHIM, PINION (0.1T) | 1 | UR |
| | 5KM-17531-10 | SHIM, PINION (0.15T) | 1 | UR |
| | 5KM-17531-20 | SHIM, PINION (0.2T) | 1 | UR |
| | 5KM-17531-30 | SHIM, PINION (0.3T) | 1 | UR |
| | 5KM-17531-40 | SHIM, PINION (0.4T) | 1 | UR |
| | 5KM-17531-50 | SHIM, PINION (0.5T) | 1 | UR |
| 7 | 90179-22526 | NUT | 1 | |
| 8 | 95817-08030 | BOLT, FLANGE | 4 | |
| 9 | 5KM-17551-10 | HOUSING, BEARING | 1 | |
| 10 | 93306-37206 | BEARING | 1 | |
| 11 | 90179-60001 | NUT | 1 | |
| 12 | 93306-20715 | BEARING | 1 | |
| 13 | 93102-30170 | OIL SEAL | 1 | |
| 14 | 5KM-17832-00 | COUPLING | 1 | |
| 15 | 90201-170M2 | WASHER, PLATE | 1 | |
| 16 | 90179-16661 | NUT | 1 | |
| 17 | 93210-78544 | O-RING | 1 | |
| 18 | 97027-08030 | BOLT | 4 | |
| 19 | 92907-08600 | WASHER, PLATE | 4 | |
| 20 | 4KB-17531-00 | SHIM, PINION (0.10T) | 2 | UR |
| | 4KB-17531-10 | SHIM, PINION (0.15T) | 2 | UR |
| | 4KB-17531-20 | SHIM, PINION (0.20T) | 2 | UR |

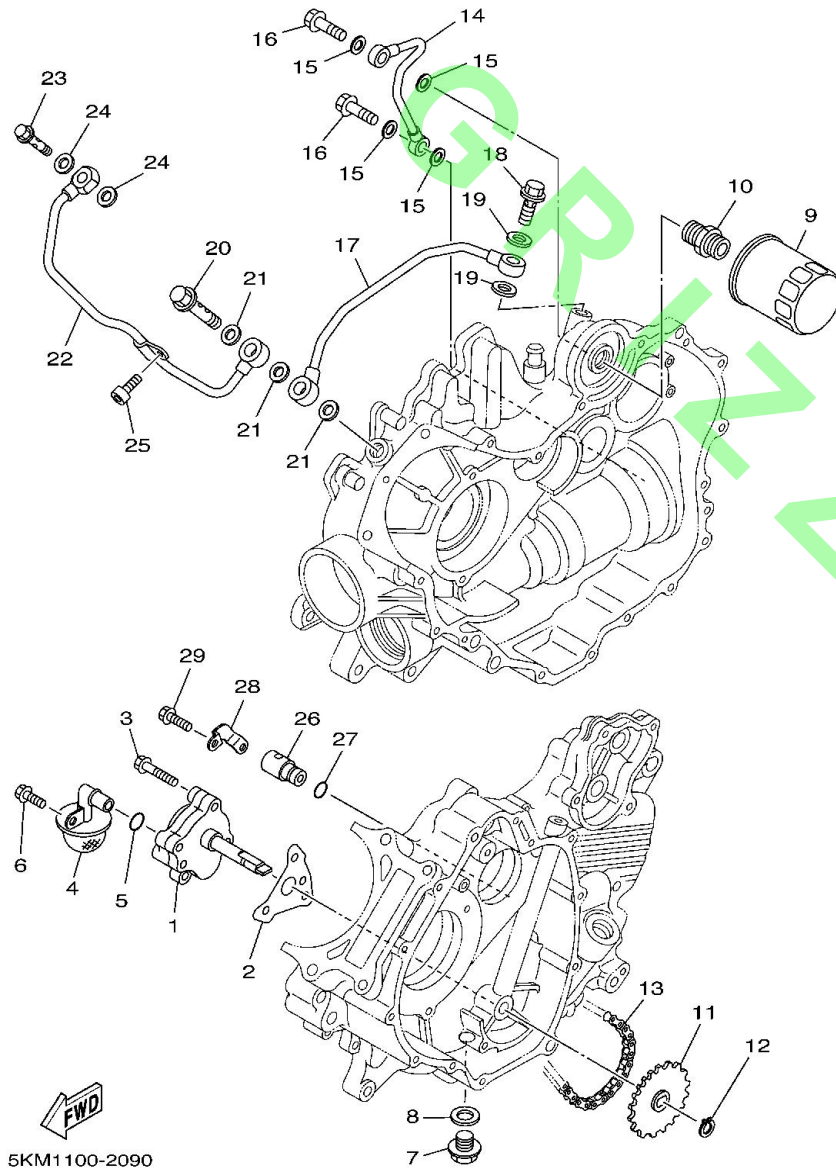
Fig. 18 MIDDLE DRIVE GEAR



5KM9100-B180

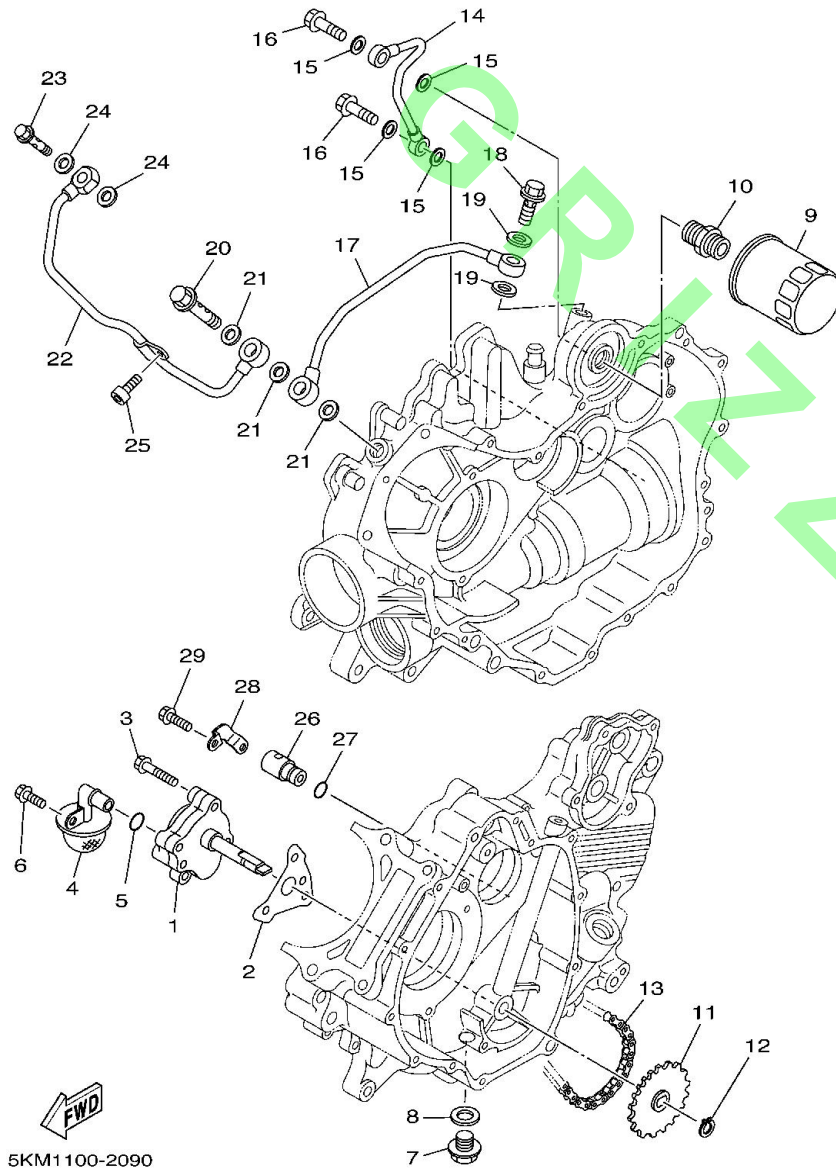
| Ref. No. | Part No. | Description | Quantity | Remarks |
|----------|-----------------|----------------------|----------|---------|
| | 4KB-17531-30 | SHIM, PINION (0.30T) | 2 | UR |
| | 4KB-17531-40 | SHIM, PINION (0.40T) | 2 | UR |
| | 4KB-17531-50 | SHIM, PINION (0.50T) | 2 | UR |
| | 4KB-17531-60 | SHIM, PINION (0.60T) | 2 | UR |
| | 21 5KM-1761A-10 | SHAFT, 1 | 1 | |
| | 22 93306-20597 | BEARING | 1 | |
| | 23 5KM-45593-00 | FLANGE, COUPLING 1 | 1 | |
| | 24 90201-14633 | WASHER, PLATE | 1 | |
| | 25 90185-14070 | NUT, SELF-LOCKING | 1 | |
| | 26 90179-55660 | NUT | 1 | |
| | 27 93102-44454 | OIL SEAL | 1 | |

Fig. 09 OIL PUMP



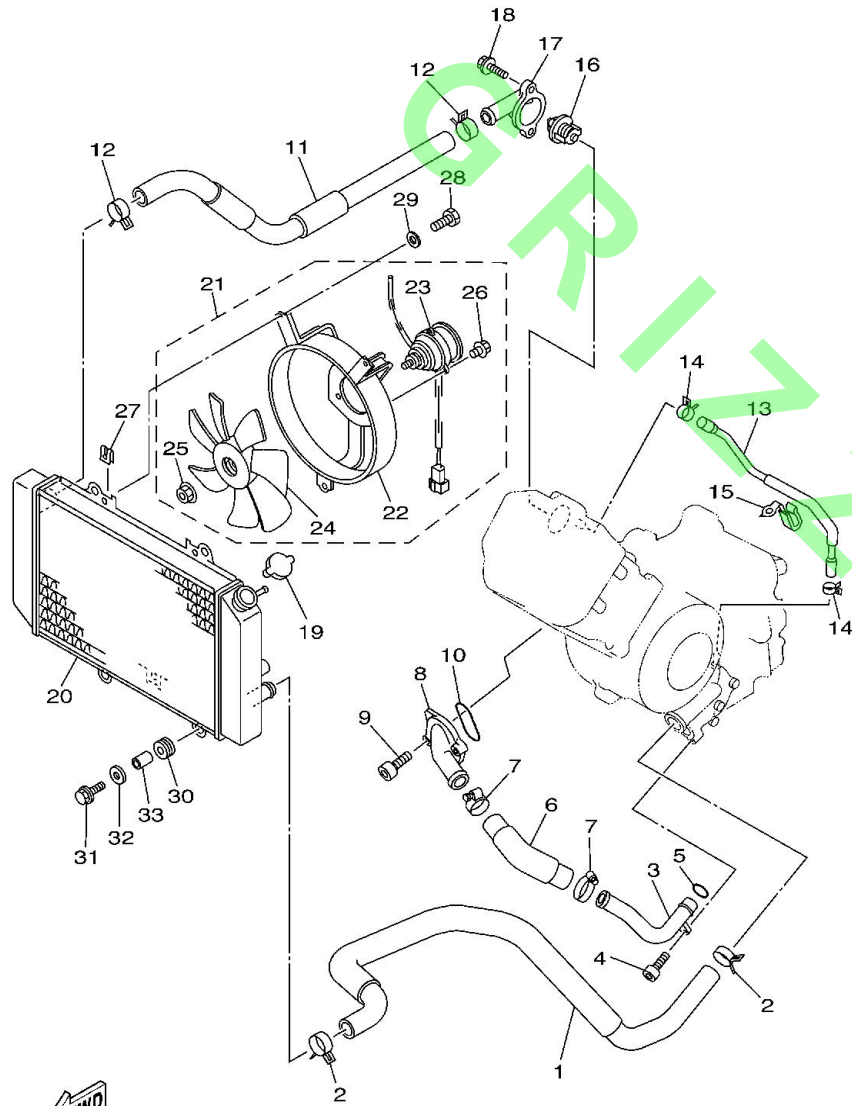
| Ref. No. | Part No. | Description | | Remarks |
|----------|-----------------|---------------------------|---|---------|
| | 1 5KM-13300-00 | OIL PUMP ASSY | 1 | |
| | 2 5KM-13329-00 | GASKET, PUMP COVER | 1 | |
| | 3 95027-06040 | BOLT, FLANGE | 3 | |
| | 4 5KM-13410-00 | STRAINER HOUSING ASSY | 1 | |
| | 5 93210-14579 | O-RING | 1 | |
| | 6 95027-06014 | BOLT, FLANGE | 1 | |
| | 7 90340-14132 | PLUG, STRAIGHT SCREW | 1 | |
| | 8 214-11198-01 | GASKET | 1 | |
| | 9 5GH-13440-00 | ELEMENT ASSY, OIL CLEANER | 1 | |
| | 10 90401-20145 | BOLT, UNION | 1 | |
| | 11 5KM-13355-00 | SPROCKET, DRIVEN | 1 | |
| | 12 99009-11400 | CIRCLIP | 1 | |
| | 13 94581-94070 | CHAIN (DID25SD DHA) | 1 | |
| | 14 3AJ-13161-01 | PIPE, DELIVERY 1 | 1 | |
| | 15 90430-08204 | GASKET | 4 | |
| | 16 90401-08004 | BOLT, UNION | 2 | |
| | 17 5KM-13171-00 | PIPE, DELIVERY 2 | 1 | |
| | 18 90401-14118 | BOLT, UNION | 1 | |
| | 19 90430-14043 | GASKET | 2 | |
| | 20 5KM-12858-00 | BOLT, UNION | 1 | |
| | 21 90430-14043 | GASKET | 3 | |
| | 22 5KM-13181-00 | PIPE, DELIVERY 3 | 1 | |
| | 23 90401-10159 | BOLT, UNION | 1 | |
| | 24 90430-10188 | GASKET | 2 | |
| | 25 91317-06012 | BOLT | 1 | |
| | 26 5KM-13490-00 | RELIEF VALVE ASSY | 1 | |
| | 27 93210-10096 | O-RING | 1 | |

Fig. 09 OIL PUMP



| Ref. No. | Part No. | Description | | Remarks |
|----------|-----------------|--------------|---|---------|
| | 28 5KM-1319K-00 | PLATE | 1 | |
| | 29 95027-06012 | BOLT, FLANGE | 2 | |
| ----- | | | | |
| ----- | | | | |
| ----- | | | | |
| ----- | | | | |
| ----- | | | | |
| ----- | | | | |
| ----- | | | | |
| ----- | | | | |
| ----- | | | | |
| ----- | | | | |

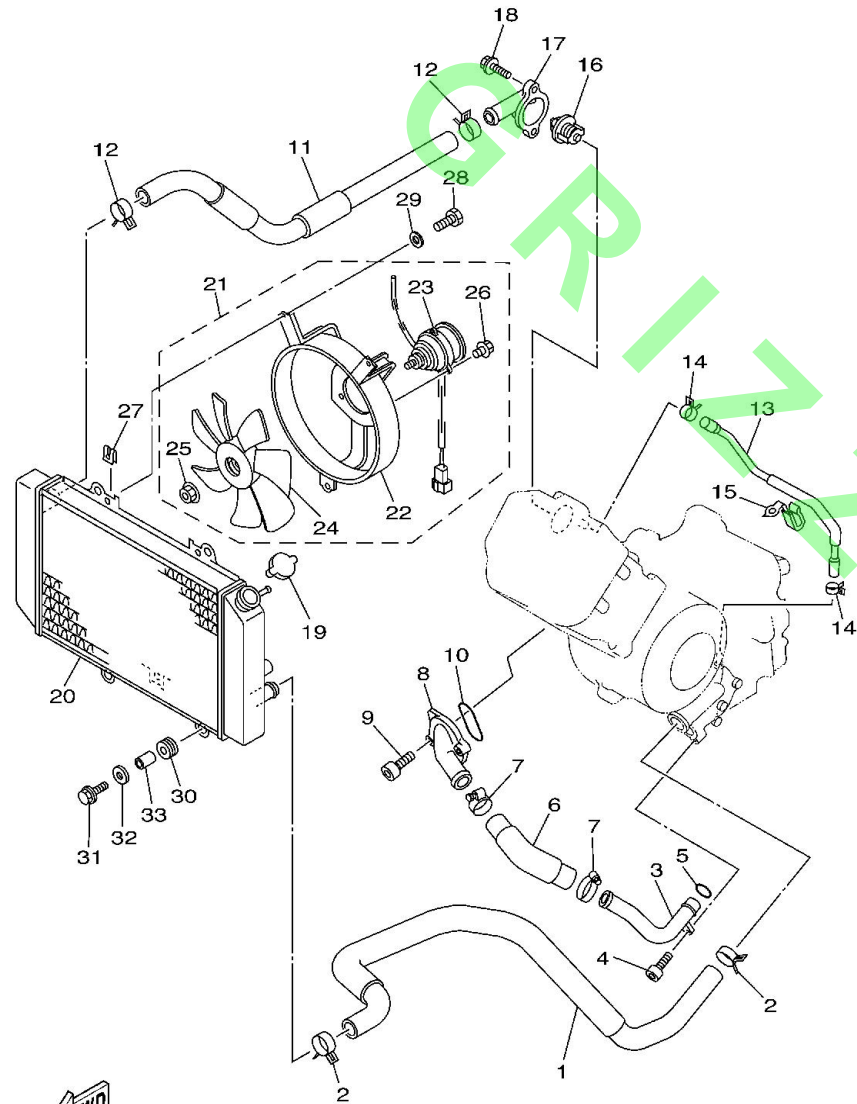
Fig. 07 RADIATOR & HOSE




5KM5110-2070

| Ref. No. | Part No. | Description | | Remarks |
|----------|-----------------|------------------------|---|---------|
| | 1 5KM-12576-00 | HOSE 1 | 1 | |
| | 2 90467-26189 | CLIP | 2 | |
| | 3 5KM-12481-00 | PIPE 1 | 1 | |
| | 4 91317-06010 | BOLT | 1 | |
| | 5 93210-21190 | O-RING | 1 | |
| | 6 5KM-12577-00 | HOSE 2 | 1 | |
| | 7 90450-32015 | HOSE CLAMP ASSY | 2 | |
| | 8 5KM-12469-00 | JOINT 1 | 1 | |
| | 9 91317-06020 | BOLT | 2 | |
| | 10 93210-33786 | O-RING | 1 | |
| | 11 5KM-12578-00 | HOSE 3 | 1 | |
| | 12 90467-26189 | CLIP | 2 | |
| | 13 5KM-12579-00 | HOSE 4 | 1 | |
| | 14 90467-10038 | CLIP | 2 | |
| | 15 90462-08008 | CLAMP | 1 | |
| | 16 5KM-12411-01 | THERMOSTAT | 1 | |
| | 17 5KM-12413-01 | COVER, THERMOSTAT | 1 | |
| | 18 95027-06020 | BOLT, FLANGE | 2 | |
| | 19 5HD-12462-00 | CAP, RADIATOR | 1 | |
| | 20 5KM-12461-00 | RADIATOR ASSY | 1 | |
| | 21 5KM-12405-00 | BLOWER ASSY | 1 | |
| | 22 5KM-12620-00 | . AIR SHROUD ASSY | 1 | |
| | 23 5KM-12630-00 | . MOTOR ASSY | 1 | |
| | 24 5KM-12611-00 | . FAN | 1 | |
| | 25 33M-12671-00 | . NUT 1 | 1 | |
| | 26 5GH-12647-00 | . SCREW, MOTOR HOLDING | 3 | |
| | 27 1AA-12535-00 | PLATE | 3 | |

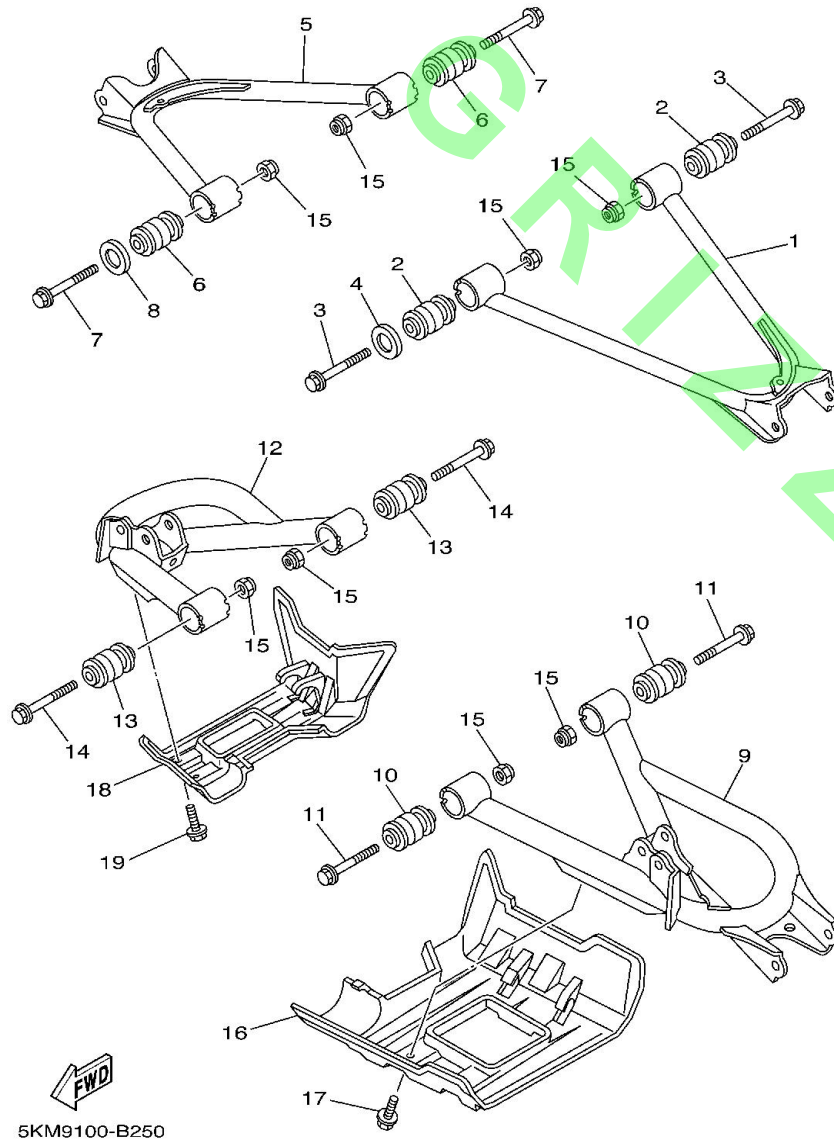
Fig. 07 RADIATOR & HOSE




5KM5110-2070

| Ref. No. | Part No. | Description | | Remarks |
|----------|----------------|---------------|---|---------|
| | 28 97017-06010 | BOLT | 3 | |
| | 29 92907-06600 | WASHER, PLATE | 3 | |
| | 30 90480-15235 | GROMMET | 4 | |
| | 31 95807-06020 | BOLT, FLANGE | 2 | |
| | 32 90209-06174 | WASHER | 2 | |
| | 33 90387-060A7 | COLLAR | 2 | |
| <hr/> | | | | |
| <hr/> | | | | |
| <hr/> | | | | |
| <hr/> | | | | |
| <hr/> | | | | |
| <hr/> | | | | |
| <hr/> | | | | |
| <hr/> | | | | |
| <hr/> | | | | |
| <hr/> | | | | |

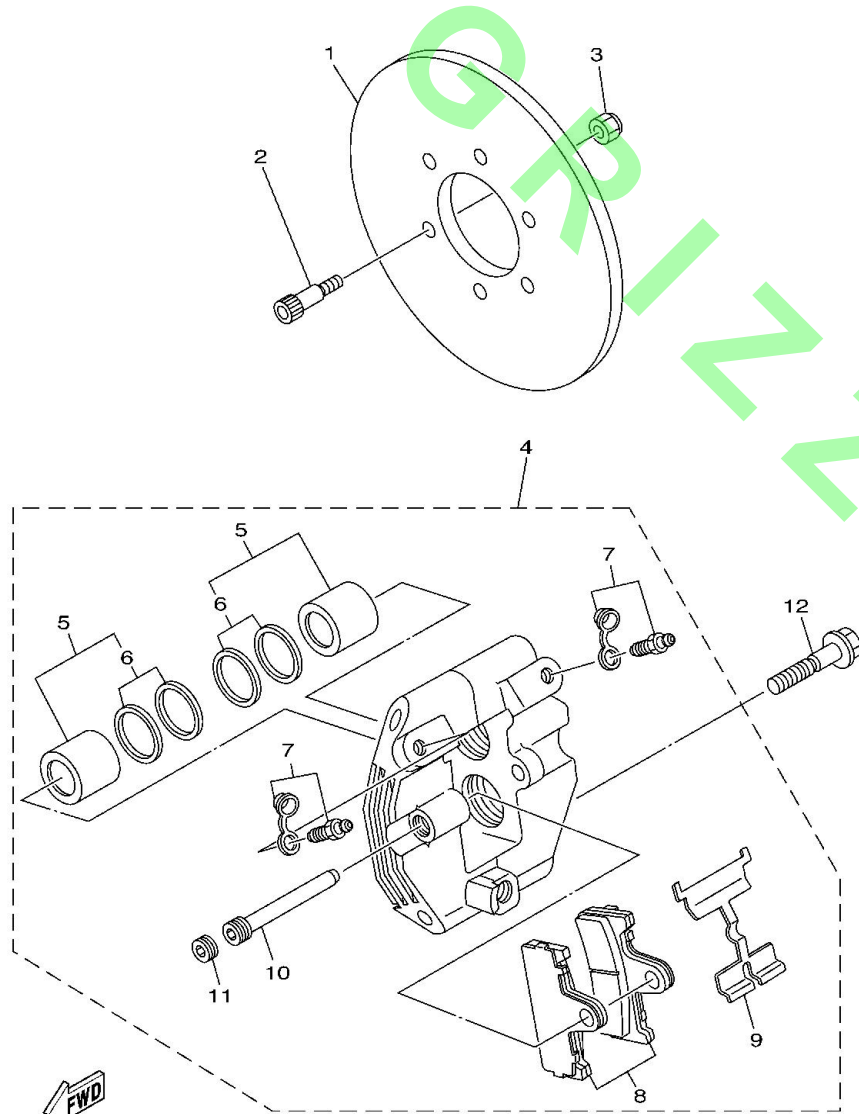
Fig. 25 REAR ARM



| Ref. No. | Part No. | Description | | Remarks |
|----------|-----------------|-------------------|---|---------|
| | 1 5KM-22171-00 | ARM, REAR 1 | 1 | |
| | 2 5KM-23526-10 | BUSH | 2 | |
| | 3 90105-10323 | BOLT, FLANGE | 2 | |
| | 4 5KM-22149-00 | WASHER | 1 | |
| | 5 5KM-22172-00 | ARM, REAR 2 | 1 | |
| | 6 5KM-23526-10 | BUSH | 2 | |
| | 7 90105-10323 | BOLT, FLANGE | 2 | |
| | 8 5KM-22149-00 | WASHER | 1 | |
| | 9 5KM-2217M-00 | ARM 1 | 1 | |
| | 10 5KM-23526-10 | BUSH | 2 | |
| | 11 90105-10323 | BOLT, FLANGE | 2 | |
| | 12 5KM-2217N-00 | ARM 2 | 1 | |
| | 13 5KM-23526-10 | BUSH | 2 | |
| | 14 90105-10323 | BOLT, FLANGE | 2 | |
| | 15 90185-10060 | NUT, SELF-LOCKING | 8 | |
| | 16 5KM-22128-00 | COVER, THRUST 1 | 1 | |
| | 17 90119-06117 | BOLT, WITH WASHER | 2 | |
| | 18 5KM-22129-00 | COVER, THRUST 2 | 1 | |
| | 19 90119-06117 | BOLT, WITH WASHER | 2 | |

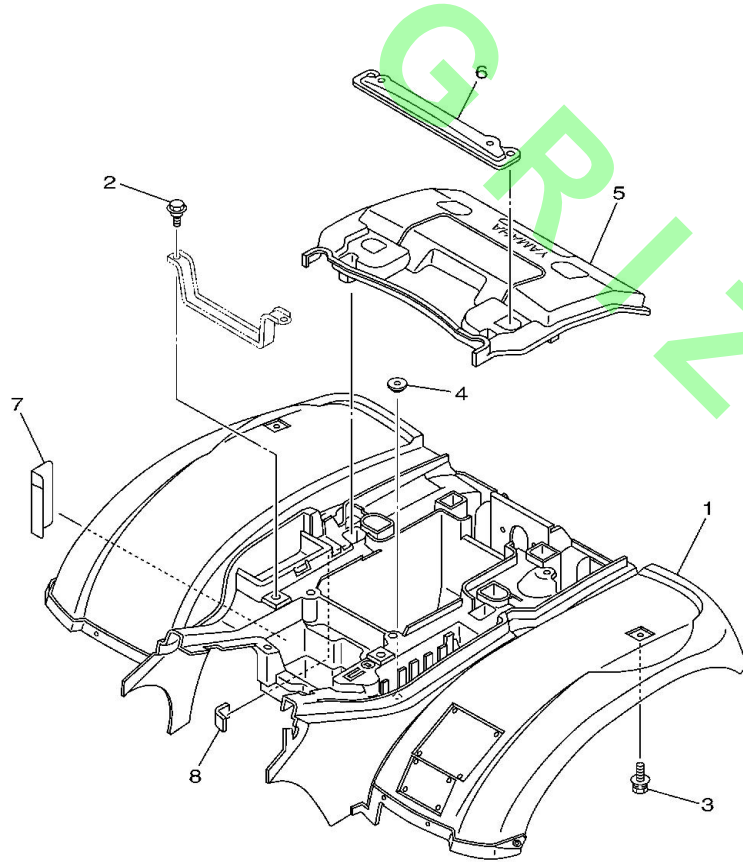
Fig. 36 REAR BRAKE CALIPER

| Ref. No. | Part No. | Description | | Remarks |
|----------|--------------|------------------------|---|---------|
| 1 | 5KM-2582V-00 | DISC, REAR BRAKE 1 | 1 | |
| 2 | 90109-06038 | BOLT | 6 | |
| 3 | 95617-06100 | NUT, U | 6 | |
| 4 | 5KM-2580V-01 | CALIPER ASSY, REAR 1 | 1 | |
| 5 | 5KM-W0057-00 | . PISTON ASSY, CALIPER | 4 | |
| <hr/> | | | | |
| 6 | 5KM-W0047-00 | . . CALIPER SEAL KIT | 1 | |
| 7 | 1UY-W0048-50 | . BLEED SCREW KIT | 2 | |
| 8 | 5KM-W0046-01 | . BRAKE PAD KIT 2 | 1 | |
| 9 | 5KM-25919-00 | . SUPPORT, PAD | 1 | |
| 10 | 8CR-25924-00 | . PIN, PAD | 1 | |
| <hr/> | | | | |
| 11 | 8CR-25926-00 | . BOLT | 1 | |
| 12 | 90105-10634 | BOLT, FLANGE | 2 | |
| <hr/> | | | | |
| <hr/> | | | | |
| <hr/> | | | | |
| <hr/> | | | | |
| <hr/> | | | | |



5KM9100-B360

Fig. 23 REAR FENDER

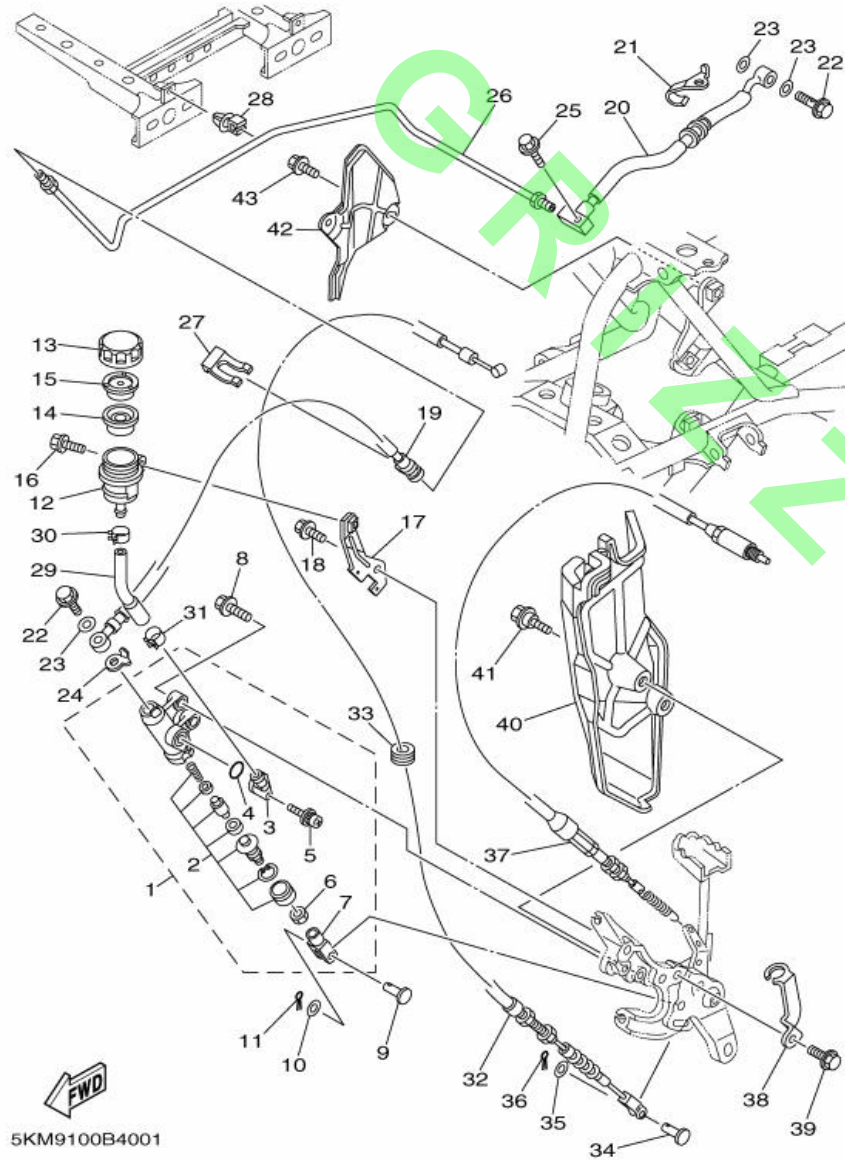


| Ref. No. | Part No. | Description | Remarks |
|----------|--------------|----------------------|----------------|
| 1 | 5KM-W216C-01 | REAR FENDER COMP.2 | 1 UR FOR PDG |
| | 5KM-W216C-11 | REAR FENDER COMP.2 | 1 UR FOR RTR |
| | 5KM-W216C-41 | REAR FENDER COMP.2 | 1 UR FOR DPBSN |
| 2 | 90109-060F3 | BOLT | 2 |
| 3 | 90119-06056 | BOLT, WITH WASHER | 2 |
| <hr/> | | | |
| 4 | 90338-09130 | PLUG | 1 |
| 5 | 5KM-2160F-40 | LID | 1 |
| 6 | 5KM-21613-00 | STAY, FENDER 1 | 1 |
| 7 | 5GH-2163E-00 | COVER, REAR FENDER 2 | 1 |
| 8 | 5KM-21652-10 | PROTECTOR | 1 |
| <hr/> | | | |
| <hr/> | | | |
| <hr/> | | | |
| <hr/> | | | |
| <hr/> | | | |
| <hr/> | | | |
| <hr/> | | | |
| <hr/> | | | |



5KM9100-B230

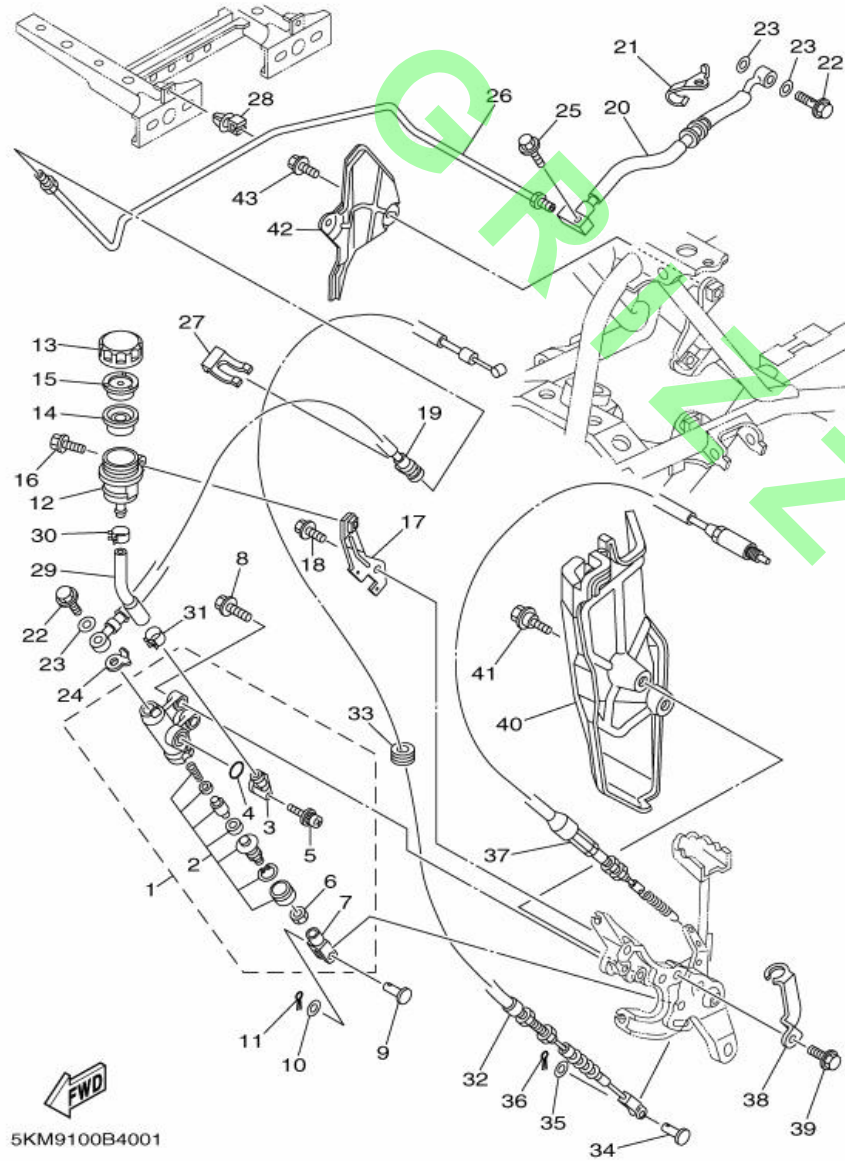
Fig. 40 REAR MASTER CYLINDER



5KM9100B4001

| Ref. No. | Part No. | Description | | Remarks |
|----------|-----------------|---------------------------|---|---------|
| | 1 5KM-2583V-00 | RR. MASTER CYLINDER ASSY. | 1 | |
| | 2 5KM-W0042-50 | . CYLINDER KIT, MASTER | 1 | |
| | 3 31A-2582A-50 | . JOINT | 1 | |
| | 4 93210-15620 | . O-RING | 1 | |
| | 5 3GM-2589H-00 | . SCREW | 1 | |
| | 6 4SS-27218-00 | . NUT | 2 | |
| | 7 2YK-27222-00 | . JOINT | 1 | |
| | 8 95817-08025 | BOLT, FLANGE | 2 | |
| | 9 90240-08013 | PIN, CLEVIS | 1 | |
| | 10 90201-08083 | WASHER, PLATE | 1 | |
| | 11 91401-16012 | PIN, COTTER | 1 | |
| | 12 5JJ-25894-00 | TANK, RESERVOIR | 1 | |
| | 13 3XP-25852-50 | CAP, RESERVOIR | 1 | |
| | 14 2VN-25854-00 | DIAPHRAGM, RESERVOIR | 1 | |
| | 15 2VN-25855-00 | BUSH,DIAPHRAGM | 1 | |
| | 16 95827-06012 | BOLT, FLANGE | 1 | |
| | 17 5KM-2133G-10 | BRACKET, RESERVER | 1 | |
| | 18 95827-06008 | BOLT, FLANGE | 1 | |
| | 19 5KM-25874-00 | HOSE, BRAKE | 1 | |
| | 20 5KM-2581J-10 | HOSE, BRAKE 4 | 1 | |
| | 21 5KM-25886-00 | HOLDER, BRAKE HOSE | 1 | |
| | 22 90401-10159 | BOLT, UNION | 2 | |
| | 23 90201-10118 | WASHER, PLATE | 3 | |
| | 24 5GH-25844-00 | WASHER, LOCK | 1 | |
| | 25 95827-06025 | BOLT, FLANGE | 1 | |
| | 26 5KM-25882-00 | PIPE, BRAKE 2 | 1 | |
| | 27 2GU-25866-00 | CIRCLIP | 1 | |

Fig. 40 REAR MASTER CYLINDER

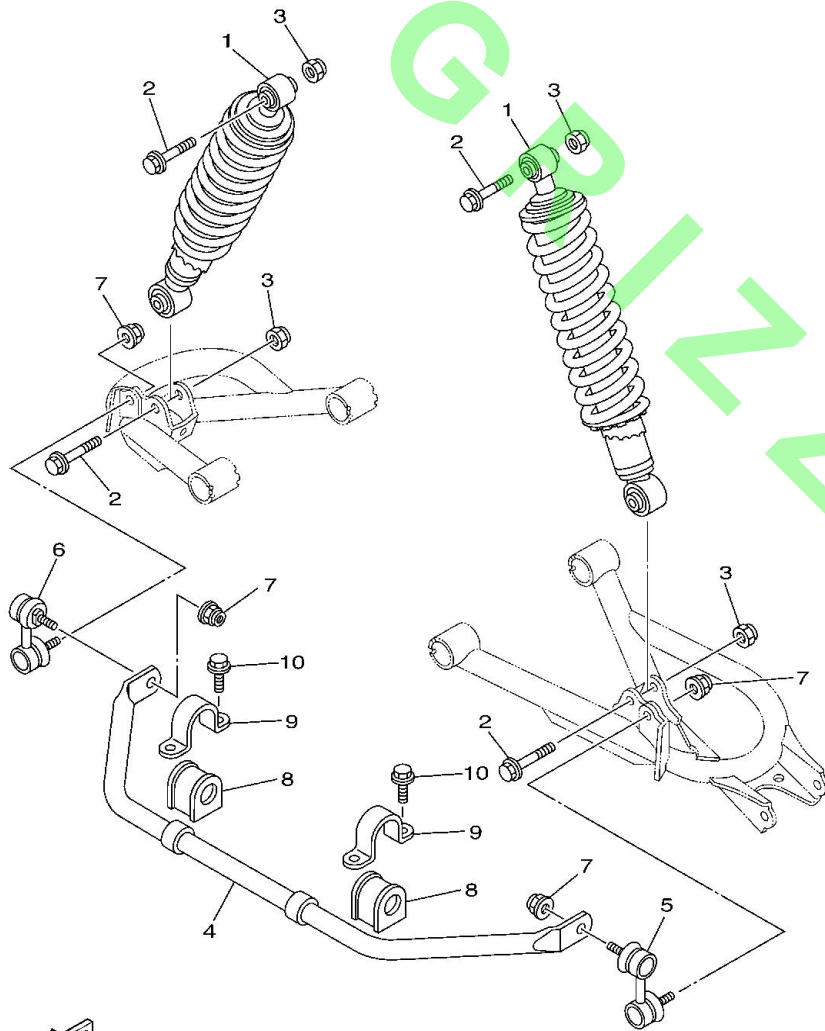


5KM9100B4001

| Ref. No. | Part No. | Description | | Remarks |
|----------|-----------------|----------------------|---|---------|
| | 28 5KM-81677-00 | CLAMP 1 | 3 | |
| | 29 5LP-25895-00 | HOSE, RESERVOIR | 1 | |
| | 30 90467-11044 | CLIP | 1 | |
| | 31 90467-14057 | CLIP | 1 | |
| | 32 5KM-26341-00 | CABLE, BRAKE | 1 | |
| | 33 90480-18418 | GROMMET | 1 | |
| | 34 90240-06076 | PIN, CLEVIS | 1 | |
| | 35 90201-06042 | WASHER, PLATE | 1 | |
| | 36 91401-20012 | PIN, COTTER | 1 | |
| | 37 5KM-2637F-00 | CABLE, CONTROL 2 | 1 | |
| | 38 5KM-21441-00 | BRACKET, STOP SWITCH | 1 | |
| | 39 95827-06008 | BOLT, FLANGE | 1 | |
| | 40 5KM-27491-00 | PROTECTOR | 1 | |
| | 41 90109-063F1 | BOLT | 2 | |
| | 42 5KM-2117G-10 | PROTECTOR | 1 | |
| | 43 95827-06008 | BOLT, FLANGE | 2 | |

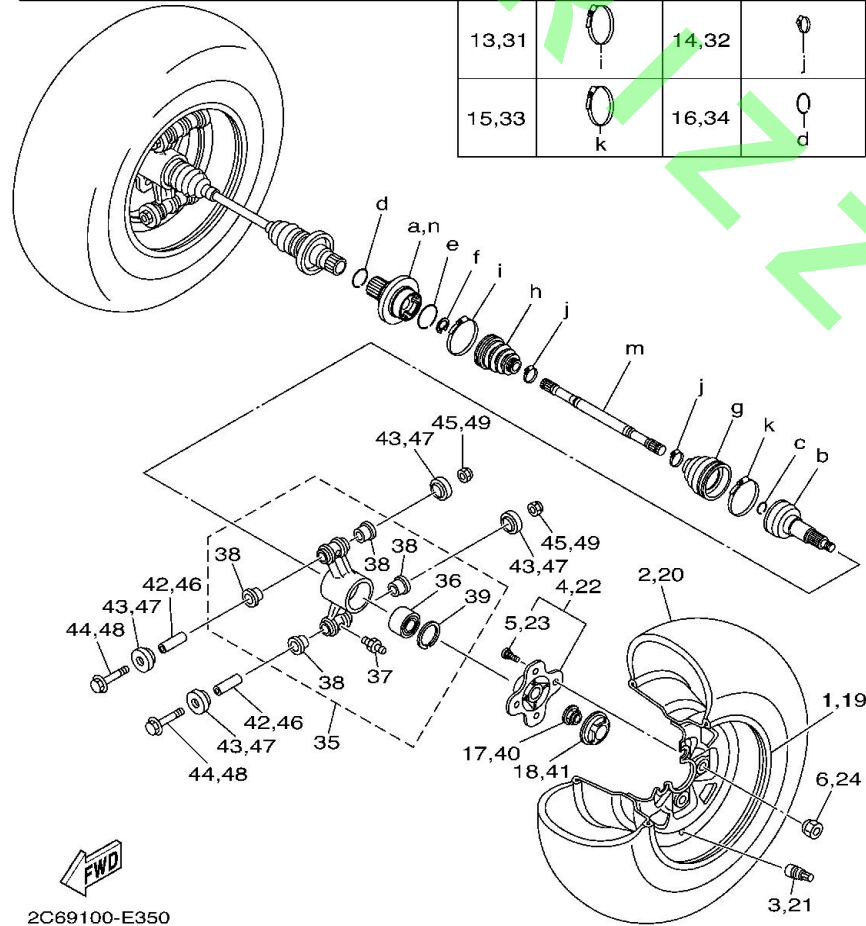
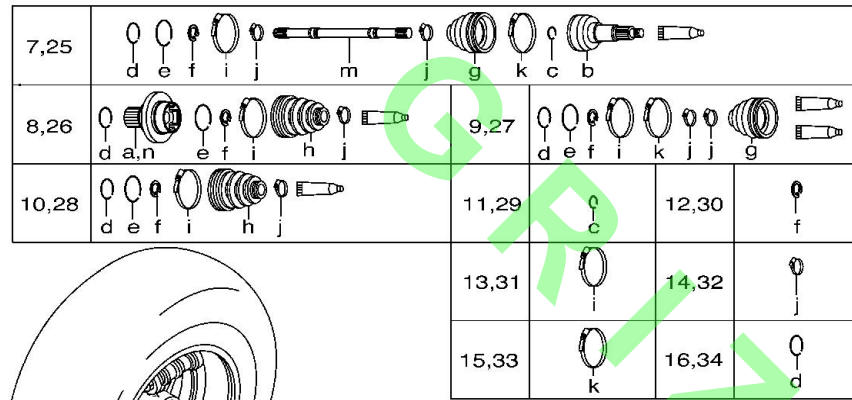
Fig. 28 REAR SUSPENSION

| Ref. No. | Part No. | Description | Quantity | Remarks |
|----------|----------------|---------------------------|----------|---------|
| | 1 5KM-22210-20 | SHOCK ABSORBER ASSY, REAR | 2 | |
| | 2 90105-10388 | BOLT, FLANGE | 4 | |
| | 3 90185-10060 | NUT, SELF-LOCKING | 4 | |
| | 4 5KM-47491-00 | BAR, STABILIZER | 1 | |
| | 5 5KM-2385L-00 | JOINT, STABILIZER 1 | 1 | |
| | 6 5KM-2385M-00 | JOINT, STABILIZER 2 | 1 | |
| | 7 95607-10200 | NUT, U FLANGE | 4 | |
| | 8 5KM-2386G-00 | BUSH, STABILIZER FRONT | 2 | |
| | 9 5KM-2386H-00 | COVER, STABILIZER FRONT | 2 | |
| | 10 95817-08014 | BOLT, FLANGE | 4 | |



5KM1100-2281

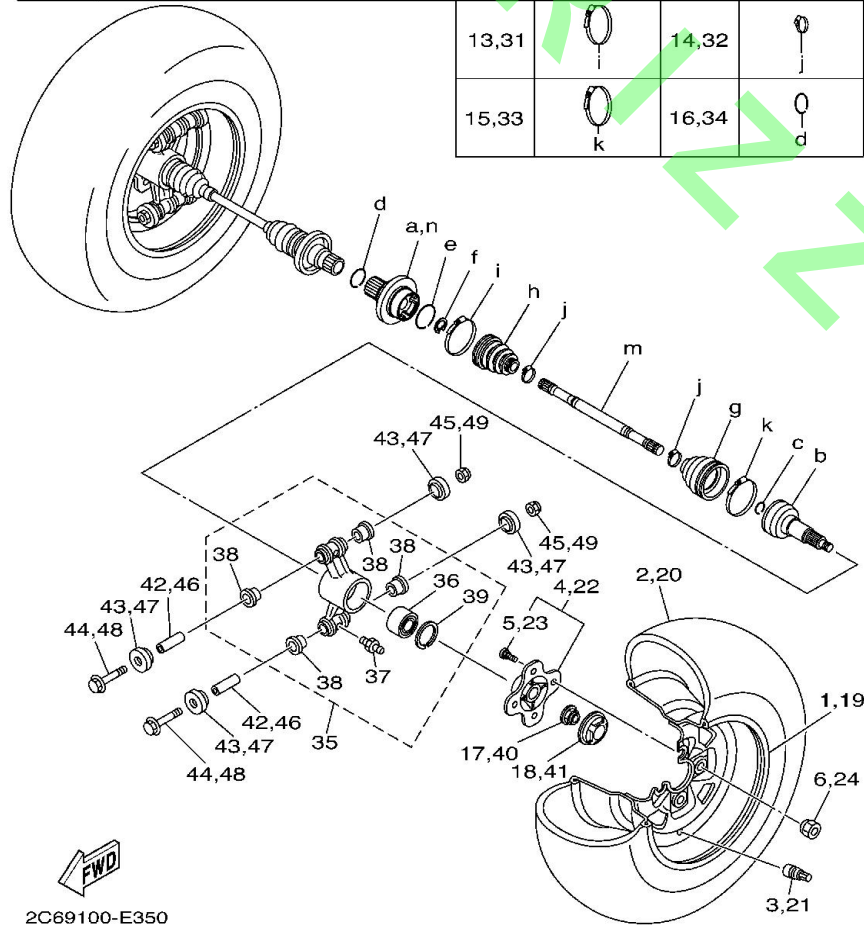
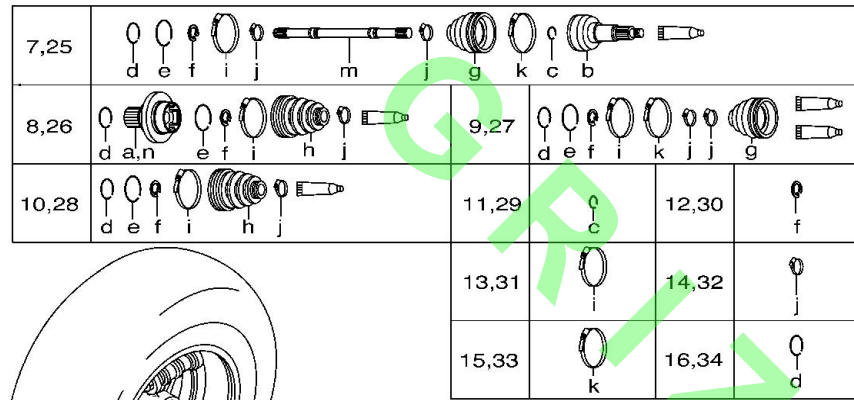
Fig. 35 REAR WHEEL



2C69100-E350

| Ref. No. | Part No. | Description | Remarks |
|----------|-----------------|--------------------------------|------------|
| | 1 5KM-25390-42 | REAR WHEEL COMP. | 1 |
| | 2 94110-12009 | TIRE (AT 25X10-12** KT135 T/L) | 1 DUNLOP |
| | 3 93900-00030 | VALVE, RIM (TR412) | 1 TAIHEIYO |
| | 4 5KM-25311-10 | HUB, REAR | 1 |
| | 5 90114-10010 | . BOLT, SERRATION | 4 |
| <hr/> | | | |
| | 6 90179-10007 | NUT | 4 |
| | 7 5KM-2530U-13 | BALL JOINT SET | 1 LH |
| | 8 5KM-2530W-11 | DOUBLE OFF SET JOINT | 1 LH |
| | 9 5KM-2530X-12 | BOOT SET (BALL JOINT) | 1 |
| | 10 5KM-2530Y-11 | BOOT SET (DOUBLE OFFSET JOINT) | 1 |
| <hr/> | | | |
| | 11 4KB-2512H-00 | CIRCLIP | 1 |
| | 12 2HR-2512J-00 | SNAP RING | 1 |
| | 13 4KB-2511H-00 | BOOT BAND(DOUBLE OFFSET JOINT) | 1 |
| | 14 3HN-2512G-01 | BOOT BAND (SMALL) | 2 |
| | 15 3HN-2511G-01 | BOOT BAND (BALL JOINT) | 1 |
| <hr/> | | | |
| | 16 5KM-2536E-10 | CLIP, SPRING | 1 |
| | 17 90179-20006 | NUT | 1 |
| | 18 5KM-2512A-00 | CAP, WHEEL | 1 |
| | 19 5KM-25390-42 | REAR WHEEL COMP. | 1 |
| | 20 94110-12009 | TIRE (AT 25X10-12** KT135 T/L) | 1 DUNLOP |
| <hr/> | | | |
| | 21 93900-00030 | VALVE, RIM (TR412) | 1 TAIHEIYO |
| | 22 5KM-25311-10 | HUB, REAR | 1 |
| | 23 90114-10010 | . BOLT, SERRATION | 4 |
| | 24 90179-10007 | NUT | 4 |
| | 25 5KM-2530T-13 | BALL JOINT SET | 1 RH |
| <hr/> | | | |
| | 26 5KM-2530V-11 | DOUBLE OFF SET JOINT | 1 RH |
| | 27 5KM-2530X-12 | BOOT SET (BALL JOINT) | 1 |

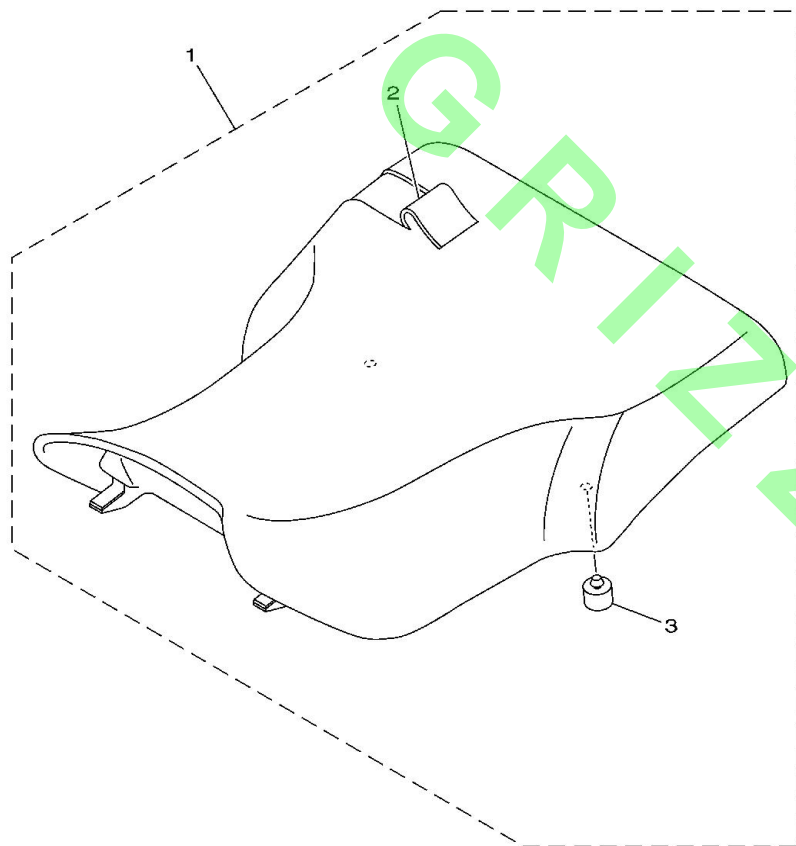
Fig. 35 REAR WHEEL



2C69100-E350

| Ref. No. | Part No. | Description | | Remarks |
|----------|-----------------|--------------------------------|---|---------|
| | 28 5KM-2530Y-11 | BOOT SET (DOUBLE OFFSET JOINT) | 1 | |
| | 29 4KB-2512H-00 | CIRCLIP | 1 | |
| | 30 2HR-2512J-00 | SNAP RING | 1 | |
| | 31 4KB-2511H-00 | BOOT BAND(DOUBLE OFFSET JOINT) | 1 | |
| | 32 3HN-2512G-01 | BOOT BAND (SMALL) | 2 | |
| | 33 3HN-2511G-01 | BOOT BAND (BALL JOINT) | 1 | |
| | 34 5KM-2536E-10 | CLIP, SPRING | 1 | |
| | 35 5KM-2530F-10 | REAR KNUCKLE ASSY | 2 | |
| | 36 93305-00601 | . BEARING | 1 | |
| | 37 93700-06004 | . NIPPLE, GREASE | 2 | |
| | 38 90381-17067 | . BUSH, SOLID | 4 | |
| | 39 99009-55500 | . CIRCLIP | 1 | |
| | 40 90179-20006 | NUT | 1 | |
| | 41 5KM-2512A-00 | CAP, WHEEL | 1 | |
| | 42 5KM-23448-00 | SPACER | 2 | |
| | 43 2NL-23517-00 | COVER, THRUST 1 | 4 | |
| | 44 90105-10480 | BOLT, FLANGE | 2 | |
| | 45 90185-10060 | NUT, SELF-LOCKING | 2 | |
| | 46 5KM-23448-00 | SPACER | 2 | |
| | 47 2NL-23517-00 | COVER, THRUST 1 | 4 | |
| | 48 90105-10480 | BOLT, FLANGE | 2 | |
| | 49 90185-10060 | NUT, SELF-LOCKING | 2 | |

Fig. 32 SEAT

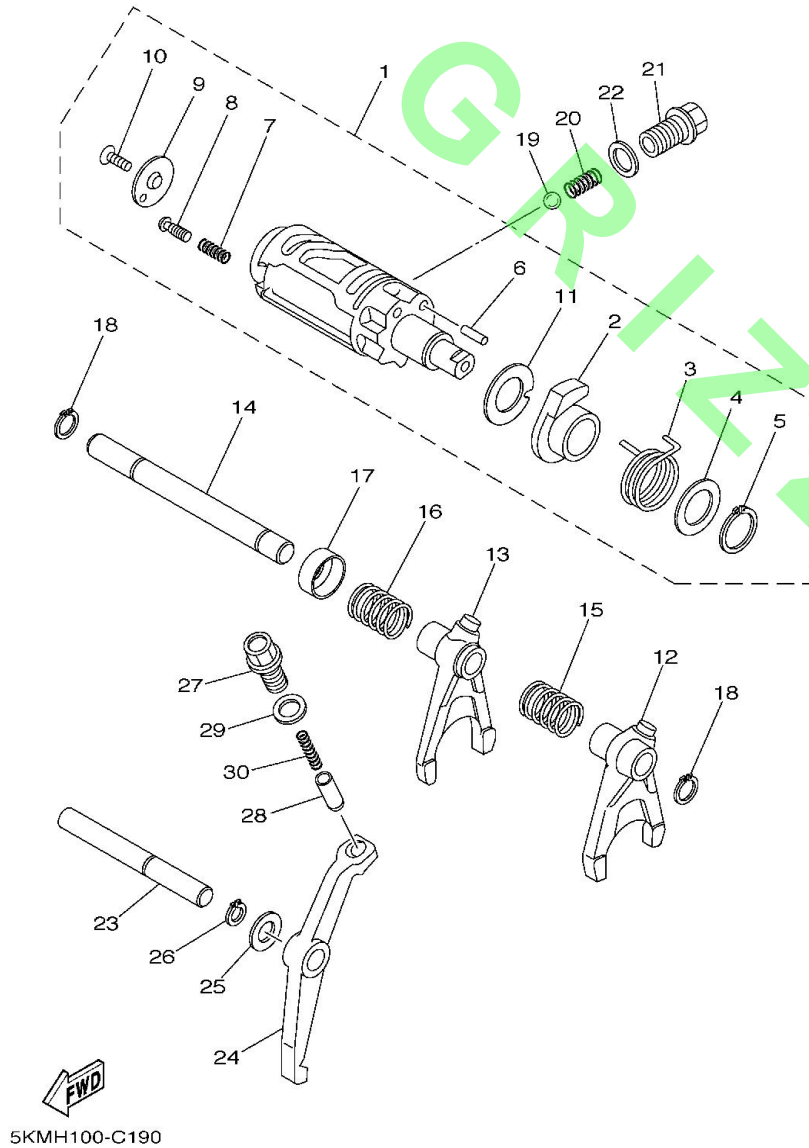


| Ref. No. | Part No. | Description | Remarks |
|----------|--------------|-----------------------|---------------------|
| 1 | 5KM-24710-00 | SINGLE SEAT ASSY (YB) | 1 FOR PDG,RTR,DPBSN |
| 2 | 5KM-24731-00 | . COVER, SEAT (YB) | 1 FOR PDG,RTR,DPBSN |
| 3 | 371-27114-00 | . STOPPER, MAIN STAND | 2 |
| ----- | | | |
| ----- | | | |
| ----- | | | |
| ----- | | | |
| ----- | | | |
| ----- | | | |
| ----- | | | |
| ----- | | | |
| ----- | | | |
| ----- | | | |



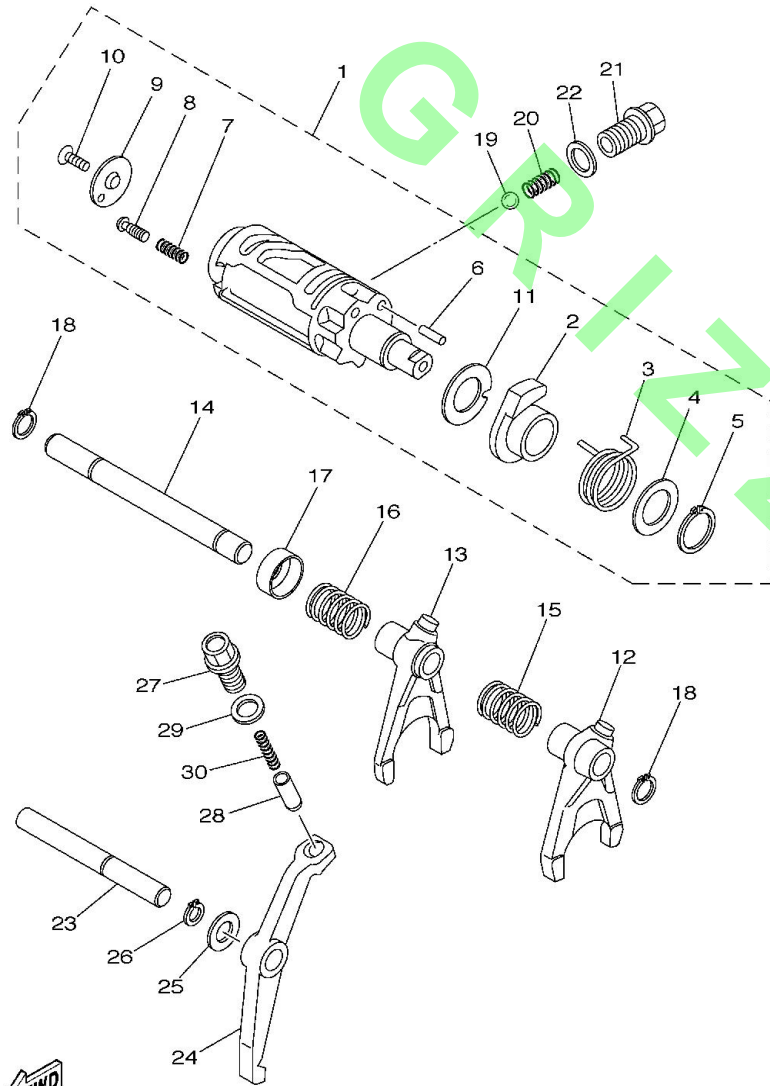
5KM1100-2320

Fig. 19 SHIFT CAM & FORK



| Ref. No. | Part No. | Description | | Remarks |
|----------|--------------|-------------------------|---|---------|
| 1 | 5KM-18540-01 | SHIFT CAM ASSY | 1 | |
| 2 | 5KM-18171-00 | . CAM, LEVER | 1 | |
| 3 | 90508-32018 | . SPRING, TORSION | 1 | |
| 4 | 90201-20792 | . WASHER, PLATE | 1 | |
| 5 | 93410-20038 | . CIRCLIP | 1 | |
| 6 | 93604-18100 | . PIN, DOWEL | 1 | |
| 7 | 90501-06022 | . SPRING, COMPRESSION | 1 | |
| 8 | 5KM-18542-00 | . POINT, NEUTRAL | 1 | |
| 9 | 4UN-18566-00 | . PLATE, SIDE 2 | 1 | |
| 10 | 90149-05321 | . SCREW | 1 | |
| 11 | 5KM-18331-00 | . PLATE, SHIFT CAM | 1 | |
| 12 | 5KM-18511-00 | FORK, SHIFT 1 | 1 | |
| 13 | 5KM-18512-00 | FORK, SHIFT 2 | 1 | |
| 14 | 5KM-18531-01 | BAR, SHIFT FORK GUIDE 1 | 1 | |
| 15 | 90501-12016 | SPRING, COMPRESSION | 1 | |
| 16 | 90501-16002 | SPRING, COMPRESSION | 1 | |
| 17 | 5KM-18323-00 | CAP, SPRING | 1 | |
| 18 | 99009-12400 | CIRCLIP | 2 | |
| 19 | 93503-08007 | BALL | 1 | |
| 20 | 90501-10353 | SPRING, COMPRESSION | 1 | |
| 21 | 90105-14367 | BOLT, FLANGE | 1 | |
| 22 | 90430-14194 | GASKET | 1 | |
| 23 | 5KM-18318-00 | SHAFT, SHIFTER | 1 | |
| 24 | 5KM-18148-00 | LEVER, STOPPER | 1 | |
| 25 | 90201-127J6 | WASHER, PLATE | 1 | |
| 26 | 99009-12400 | CIRCLIP | 1 | |
| 27 | 90109-14002 | BOLT | 1 | |

Fig. 19 SHIFT CAM & FORK



5KMH100-C190

| Ref. No. | Part No. | Description | | Remarks |
|----------|-----------------|---------------------|---|---------|
| | 28 1J7-18547-00 | STOPPER, CAM | 1 | |
| | 29 90430-14043 | GASKET | 1 | |
| | 30 90501-12004 | SPRING, COMPRESSION | 1 | |
| ----- | | | | |
| ----- | | | | |
| ----- | | | | |
| ----- | | | | |
| ----- | | | | |
| ----- | | | | |
| ----- | | | | |
| ----- | | | | |
| ----- | | | | |
| ----- | | | | |

Fig. 20 SHIFT SHAFT

| Ref. No. | Part No. | Description | Quantity | Remarks |
|----------|----------|----------------------------------|----------|---------|
| | 1 | 4SH-18198-00 LEVER | 1 | |
| | 2 | 90387-0613B COLLAR | 1 | |
| | 3 | 90201-132G5 WASHER, PLATE | 1 | |
| | 4 | 90508-35764 SPRING, TORSION | 1 | |
| | 5 | 90201-06008 WASHER, PLATE | 1 | |
| | 6 | 95817-06035 BOLT, FLANGE | 1 | |
| | 7 | 5KM-18191-00 LEVER | 1 | |
| | 8 | 5KM-18197-00 SHAFT | 1 | |
| | 9 | 93102-15212 OIL SEAL | 1 | |
| | 10 | 5KM-18104-00 SHIFT GUIDE COMP. | 1 | |
| | 11 | 5KM-18129-01 COVER, SHIFT SHAFT | 1 | |
| | 12 | 5KM-18146-00 GASKET | 1 | |
| | 13 | 90465-10026 CLAMP | 1 | |
| | 14 | 95027-06020 BOLT, FLANGE | 3 | |
| | 15 | 95027-06030 BOLT, FLANGE | 1 | |
| | 16 | 99530-08012 PIN, DOWEL | 1 | |
| | 17 | 90201-06008 WASHER, PLATE | 1 | |
| | 18 | 5KM-18115-10 ROD, SHIFT | 1 | |
| | 19 | 90170-08358 NUT | 1 | |
| | 20 | 95307-08700 NUT | 1 | |
| | 21 | 5KM-18300-02 SHIFTER ASSY | 1 | |
| | 22 | 5GH-18174-00 . KNOB, SHIFT LEVER | 1 | |
| | 23 | 90269-05055 . RIVET | 1 | |
| | 24 | 5KM-18131-00 . BOOT, SEALING | 1 | |
| | 25 | 5GH-18617-00 . STOPPER,RUBBER | 1 | |
| | 26 | 1KT-18157-00 . JOINT 2 | 1 | |
| | 27 | 2H9-18154-00 . COVER, DUST | 1 | |

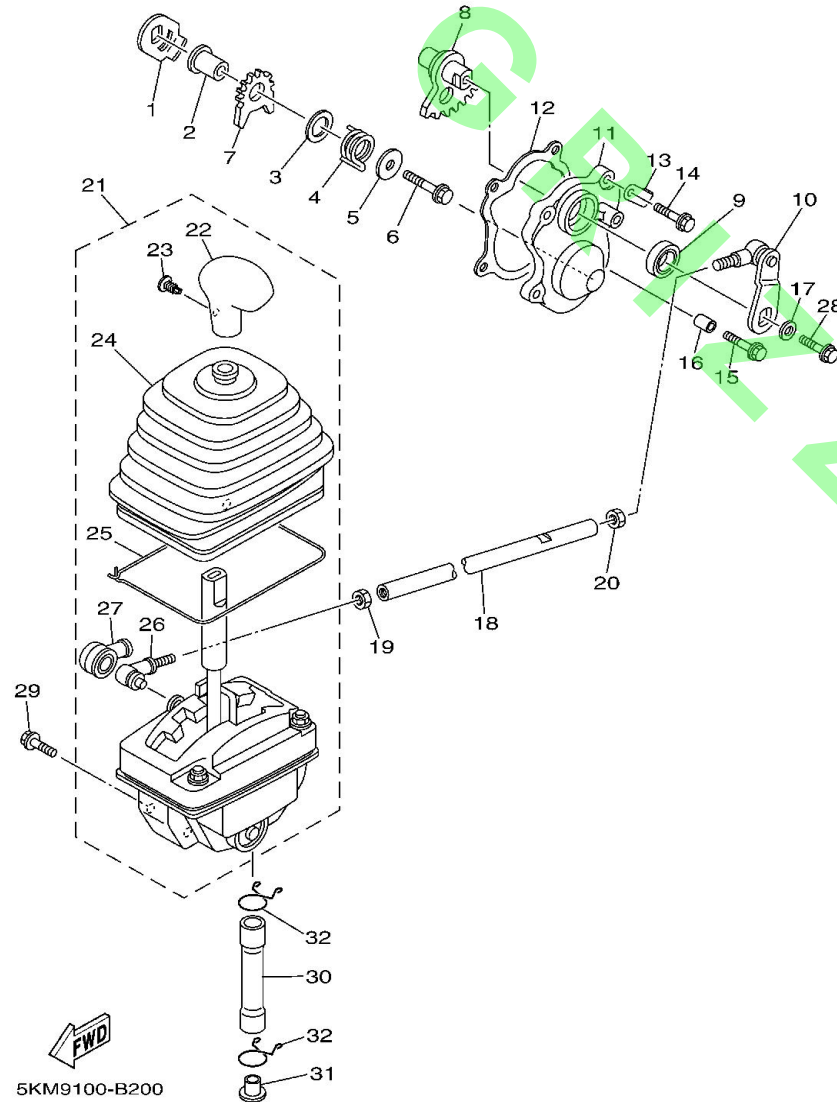
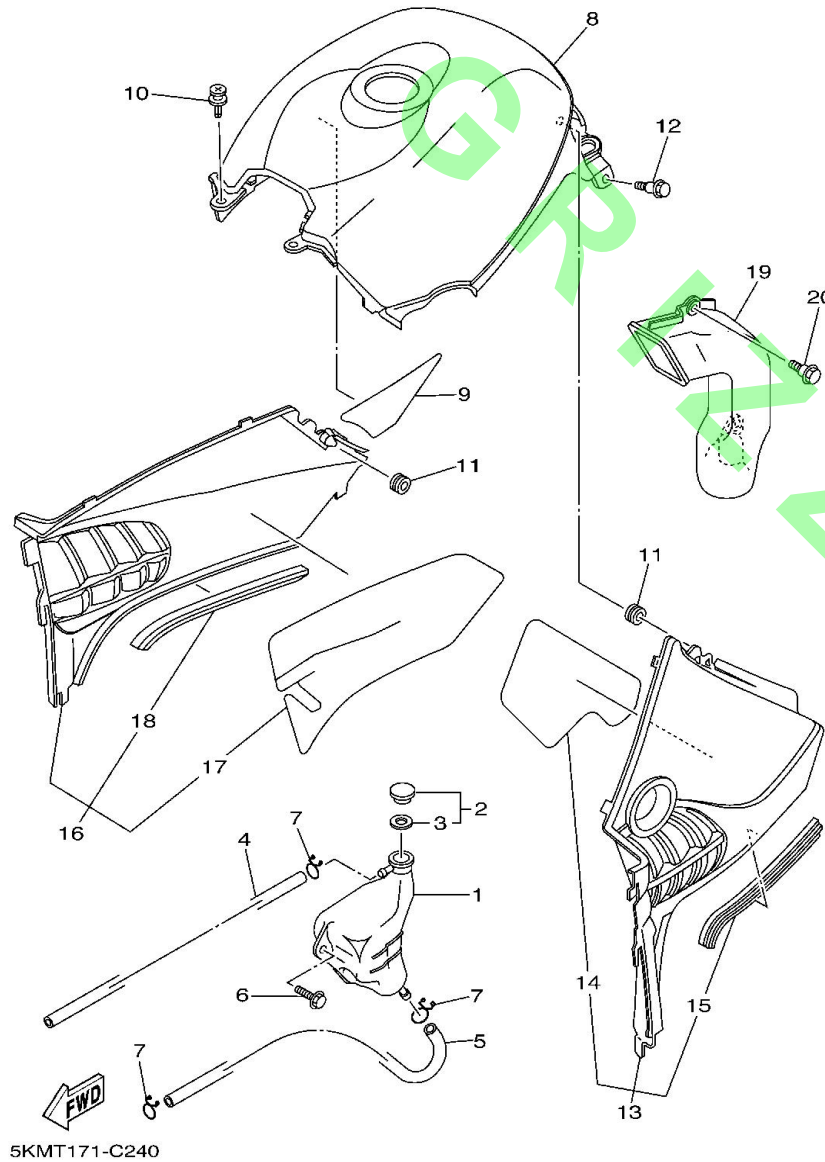
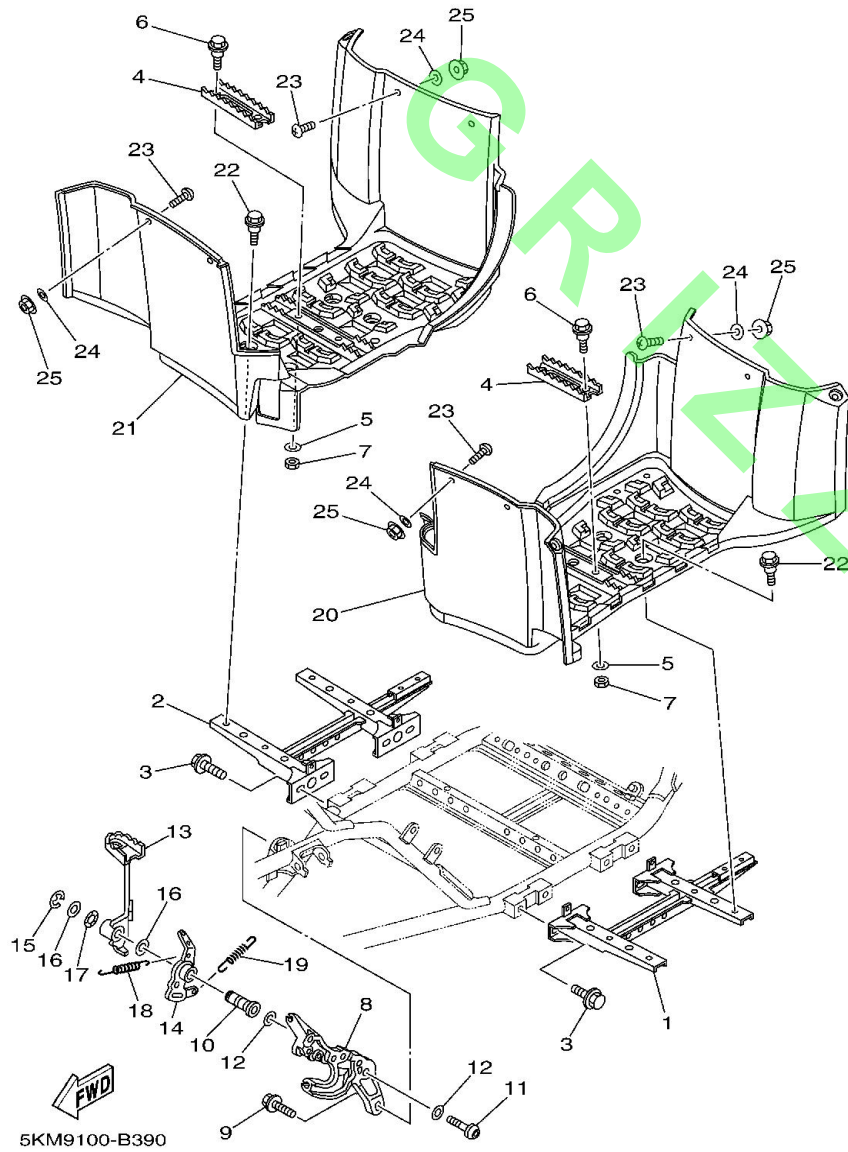


Fig. 24 SIDE COVER



| Ref. No. | Part No. | Description | | Remarks |
|----------|--------------|---------------------------|---|------------|
| 1 | 5KM-21871-00 | TANK, RECOVERY | 1 | |
| 2 | 1AA-21815-00 | CAP | 1 | |
| 3 | 1AA-21874-00 | . GASKET | 1 | |
| 4 | 90445-096F4 | HOSE (L870) | 1 | |
| 5 | 90445-09635 | HOSE (L910) | 1 | |
| 6 | 90119-06056 | BOLT, WITH WASHER | 2 | |
| 7 | 90467-08003 | CLIP | 3 | |
| 8 | 5KM-2171A-00 | COVER, TOP | 1 | UR FOR PDG |
| 9 | 5KM-2174M-10 | CLOTH, PROTECTOR | 1 | |
| 10 | 90269-07076 | RIVET | 2 | |
| 11 | 90480-13567 | GROMMET | 2 | |
| 12 | 90109-063F1 | BOLT | 2 | |
| 13 | 5KM-21710-10 | SIDE COVER ASSY 1 | 1 | |
| 14 | 5KM-2174A-20 | . INSULATOR, SIDE COVER | 1 | |
| 15 | 5KM-2171L-00 | . MOLE, SIDE COVER 1 | 1 | |
| 16 | 5KM-21720-10 | SIDE COVER ASSY 2 | 1 | |
| 17 | 5KM-2174T-20 | . INSULATOR, SIDE COVER 2 | 1 | |
| 18 | 5KM-2171L-00 | . MOLE, SIDE COVER 1 | 1 | |
| 19 | 5KM-21557-00 | DUCT, AIR | 1 | |
| 20 | 90109-063F1 | BOLT | 2 | |

Fig. 39 STAND & FOOTREST



| Ref. No. | Part No. | Description | | Remarks |
|----------|----------|--------------|--------------------|---------|
| | 1 | 5KM-27481-10 | BOARD, FOOTREST | 1 |
| | 2 | 5KM-27488-10 | BOARD, FOOTREST 2 | 1 |
| | 3 | 95817-08012 | BOLT, FLANGE | 8 |
| | 4 | 5GH-2741A-00 | ARM 1 | 2 |
| | 5 | 90201-06071 | WASHER, PLATE | 4 |
| <hr/> | | | | |
| | 6 | 90109-063F5 | BOLT | 4 |
| | 7 | 95317-06600 | NUT | 4 |
| | 8 | 5KM-27263-00 | BRACKET 1 | 1 |
| | 9 | 95817-08025 | BOLT, FLANGE | 2 |
| | 10 | 5KM-27212-10 | SHAFT, BRAKE PEDAL | 1 |
| <hr/> | | | | |
| | 11 | 90149-08296 | SCREW | 1 |
| | 12 | 90201-08784 | WASHER, PLATE | 2 |
| | 13 | 5KM-27211-00 | PEDAL, BRAKE | 1 |
| | 14 | 5KM-27252-00 | LEVER, BRAKE PEDAL | 1 |
| | 15 | 99001-10600 | CIRCLIP | 1 |
| <hr/> | | | | |
| | 16 | 90201-144J2 | WASHER, PLATE | 2 |
| | 17 | 90206-14086 | WASHER, WAVE | 1 |
| | 18 | 90506-16318 | SPRING, TENSION | 1 |
| | 19 | 90506-12441 | SPRING, TENSION | 1 |
| | 20 | 5KM-27453-01 | COVER 1 | 1 |
| <hr/> | | | | |
| | 21 | 5KM-27463-01 | COVER 2 | 1 |
| | 22 | 90109-063F1 | BOLT | 8 |
| | 23 | 90149-06021 | SCREW | 12 |
| | 24 | 90201-06557 | WASHER, PLATE | 12 |
| | 25 | 95707-06300 | NUT, FLANGE | 12 |
| <hr/> | | | | |

Fig. 15 STARTER CLUTCH

| Ref. No. | Part No. | Description | | Remarks |
|----------|----------------|----------------------|---|---------|
| | 1 5GH-15512-00 | GEAR, IDLER 1 | 1 | |
| | 2 5KM-15522-00 | SHAFT 2 | 1 | |
| | 3 93310-212R6 | BEARING | 1 | |
| | 4 5KM-15517-10 | GEAR, IDLER 2 | 1 | |
| | 5 90201-25291 | WASHER, PLATE | 1 | |
| | 6 5KM-15590-00 | STARTER ONE-WAY ASSY | 1 | |
| | 7 91317-08016 | BOLT | 3 | |

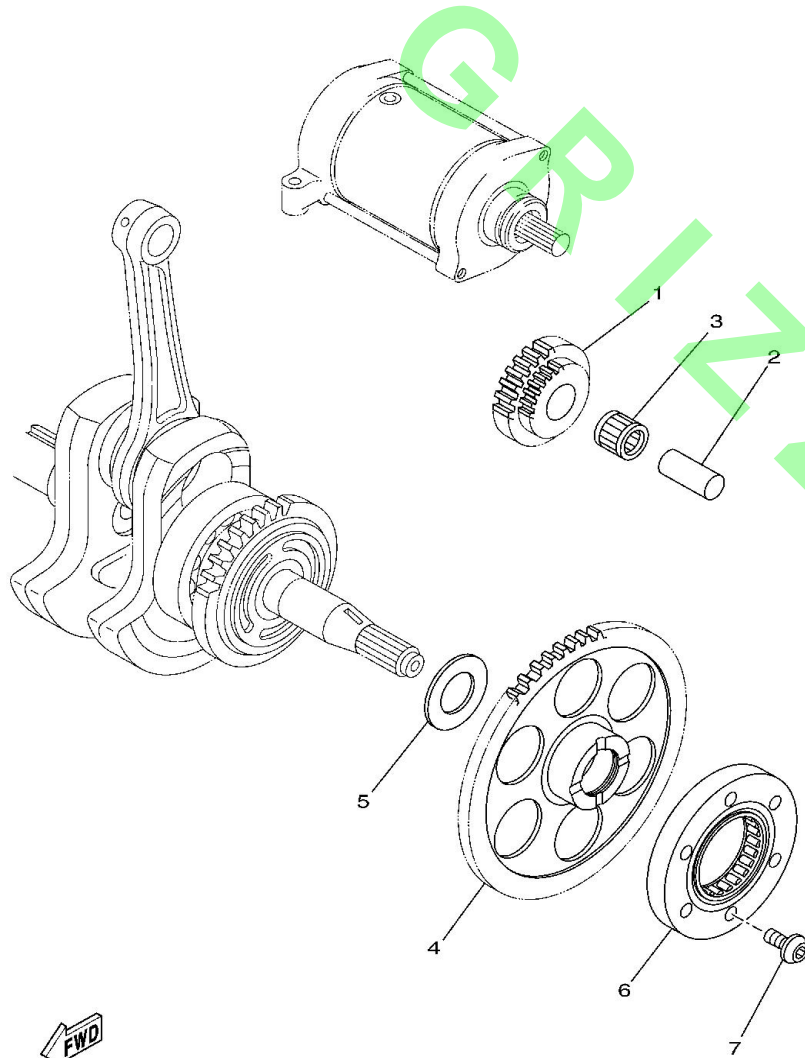
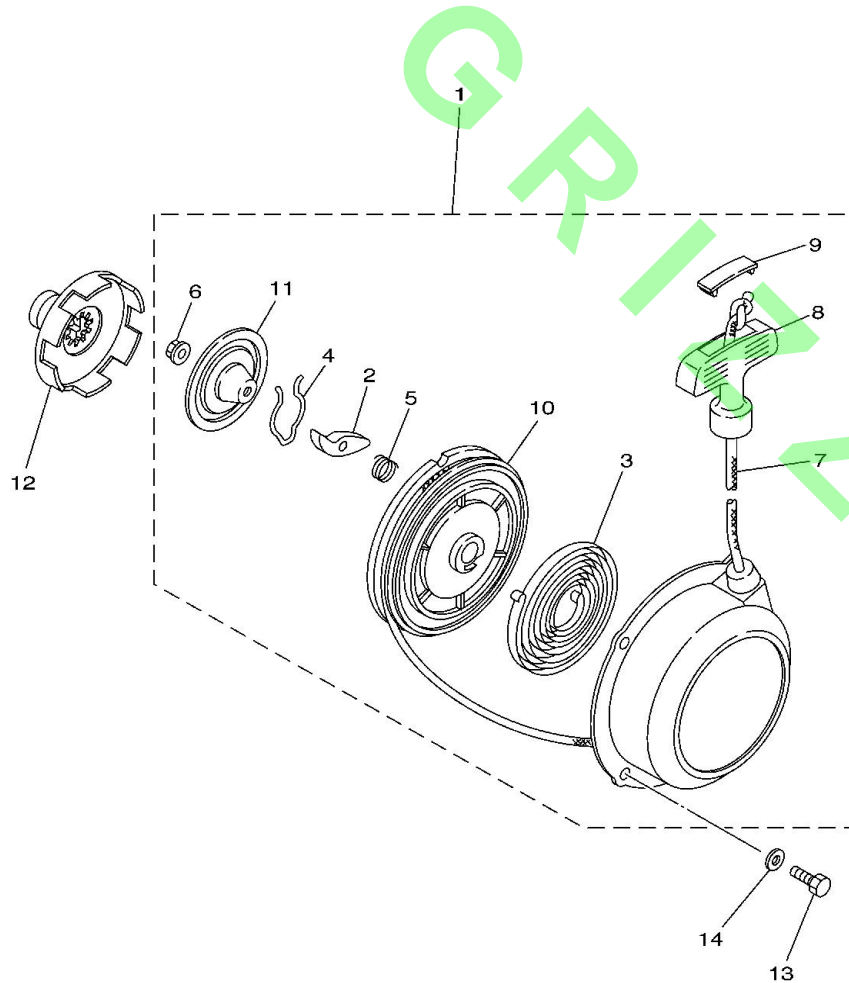


Fig. 14 STARTER

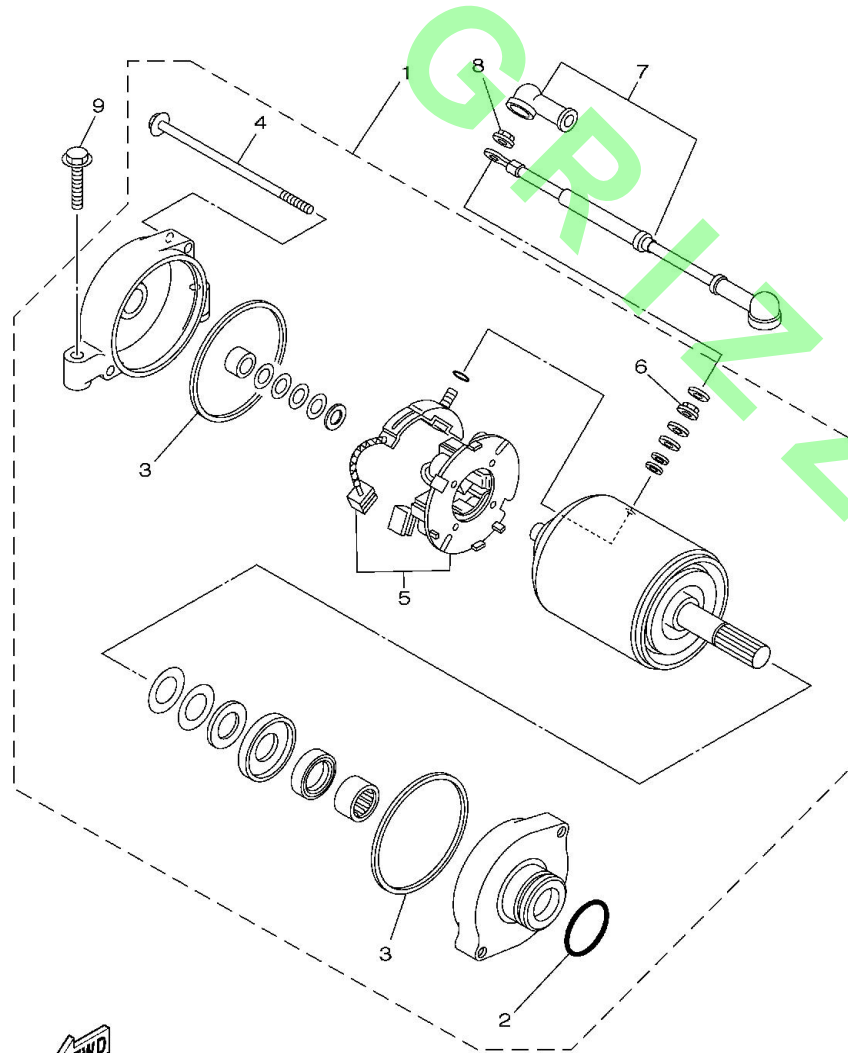


| Ref. No. | Part No. | Description | | Remarks |
|----------|--------------|--------------------|---|---------|
| 1 | 5UH-15710-00 | STARTER ASSY | 1 | |
| 2 | 21V-15741-00 | . PAWL, DRIVE | 1 | |
| 3 | 5UH-15713-00 | . SPRING, STARTER | 1 | |
| 4 | 21V-15715-01 | . SPRING, FRICTION | 1 | |
| 5 | 21V-15767-00 | . SPRING | 1 | |
| 6 | 95702-06500 | . NUT, FLANGE | 1 | |
| 7 | 21V-15751-00 | . WIRE, STARTER | 1 | |
| 8 | 3X3-15755-00 | . HANDLE, STARTER | 1 | |
| 9 | 21V-15779-00 | . COVER | 1 | |
| 10 | 24W-15714-00 | . DRUM, SHEAVE | 1 | |
| 11 | 5UH-15716-00 | . PLATE, DRIVE | 1 | |
| 12 | 5KM-15723-00 | PULLEY, STARTER | 1 | |
| 13 | 97017-06014 | BOLT | 4 | |
| 14 | 92907-06600 | WASHER, PLATE | 4 | |



5KMH100-C140

Fig. 43 STARTING MOTOR

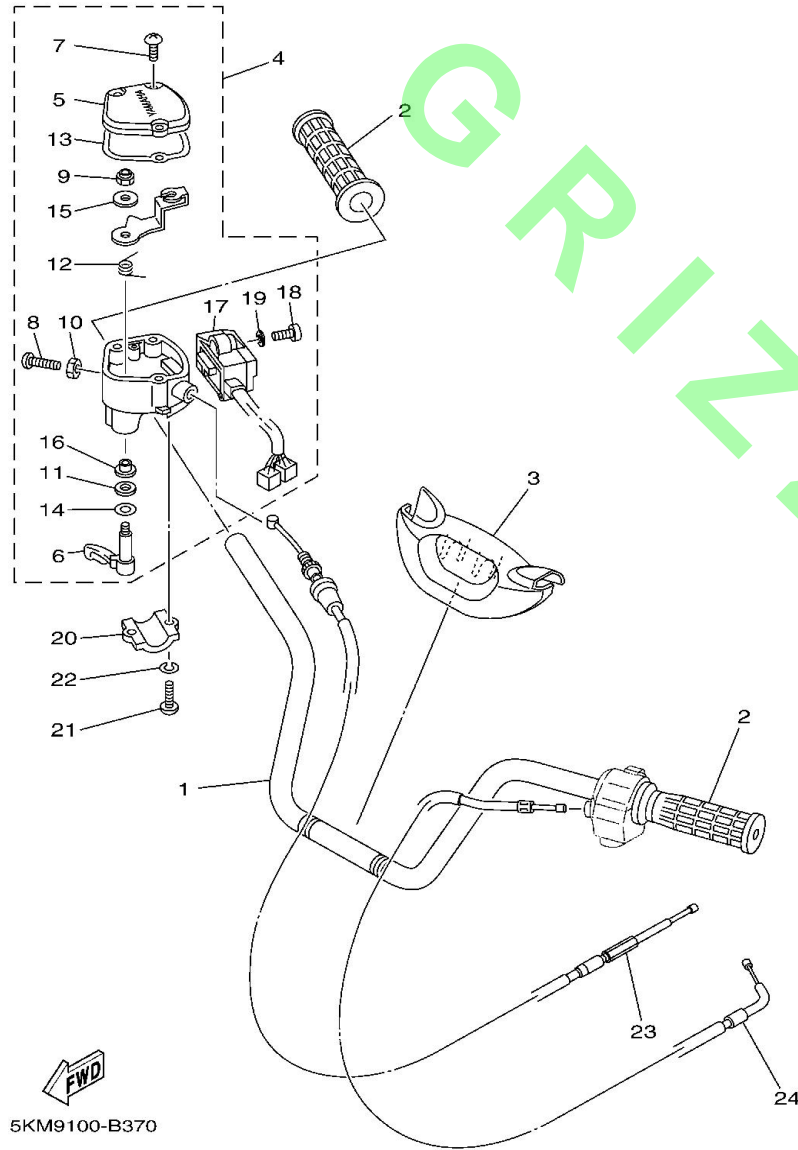


| Ref. No. | Part No. | Description | | Remarks |
|----------|--------------|---------------------|---|---------|
| 1 | 5KM-81890-00 | MOTOR ASSY | 1 | |
| 2 | 1FK-81847-00 | . O-RING | 1 | |
| 3 | 11H-81844-00 | . GASKET | 2 | |
| 4 | 3AJ-81826-00 | . BOLT | 2 | |
| 5 | 3AJ-81801-00 | . BRUSH SET | 1 | |
| 6 | 4XV-8182A-00 | . NUT | 1 | |
| 7 | 5KM-81815-00 | CORD, STARTER MOTOR | 1 | |
| 8 | 4XV-8182A-00 | NUT | 1 | |
| 9 | 95027-06030 | BOLT, FLANGE | 2 | |



5ND6100-C440

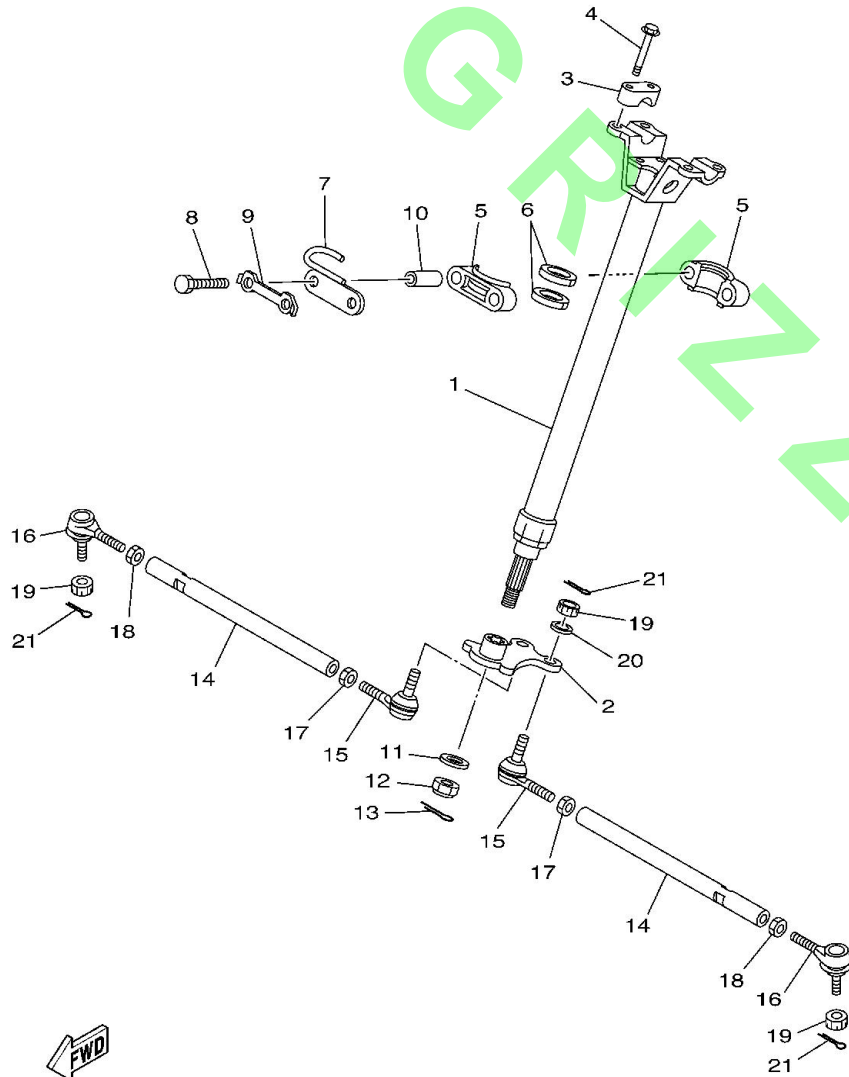
Fig. 37 STEERING HANDLE & CABLE



| Ref. No. | Part No. | Description | | Remarks |
|----------|-----------------|-----------------------|---|---------|
| | 1 5KM-26111-00 | HANDLEBAR | 1 | |
| | 2 5LP-26241-00 | GRIP | 2 | |
| | 3 5KM-26124-00 | PROTECTOR, HANDLEBAR | 1 | |
| | 4 5KM-26250-00 | THROTTLE LEVER ASSY | 1 | |
| | 5 4KB-2628F-10 | . CAP, GEAR | 1 | |
| | 6 1NV-2625G-01 | . LEVER, THROTTLE | 1 | |
| | 7 90149-04278 | . SCREW | 3 | |
| | 8 98507-05020 | . SCREW, PAN HEAD | 1 | |
| | 9 95607-05100 | . NUT, U | 1 | |
| | 10 95307-05700 | . NUT | 1 | |
| | 11 93104-09025 | . OIL SEAL | 1 | |
| | 12 1NV-26304-00 | . SPRING | 1 | |
| | 13 4KB-2628G-00 | . GASKET | 1 | |
| | 14 1NV-26129-00 | . WASHER | 1 | |
| | 15 1NV-26398-00 | . WASHER | 1 | |
| | 16 1NV-2625K-00 | . COLLAR | 1 | |
| | 17 5KM-83976-00 | . SWITCH, HANDLE 1 | 1 | |
| | 18 98507-04016 | . SCREW, PAN HEAD | 2 | |
| | 19 92907-04600 | . WASHER | 2 | |
| | 20 4V4-82913-00 | HOLDER, LEVER LOWER 1 | 1 | |
| | 21 98507-05020 | SCREW, PAN HEAD | 2 | |
| | 22 92907-05100 | WASHER, SPRING | 2 | |
| | 23 5KM-26311-10 | CABLE, THROTTLE 1 | 1 | |
| | 24 5KM-26331-10 | CABLE, STARTER 1 | 1 | |

Fig. 30 STEERING

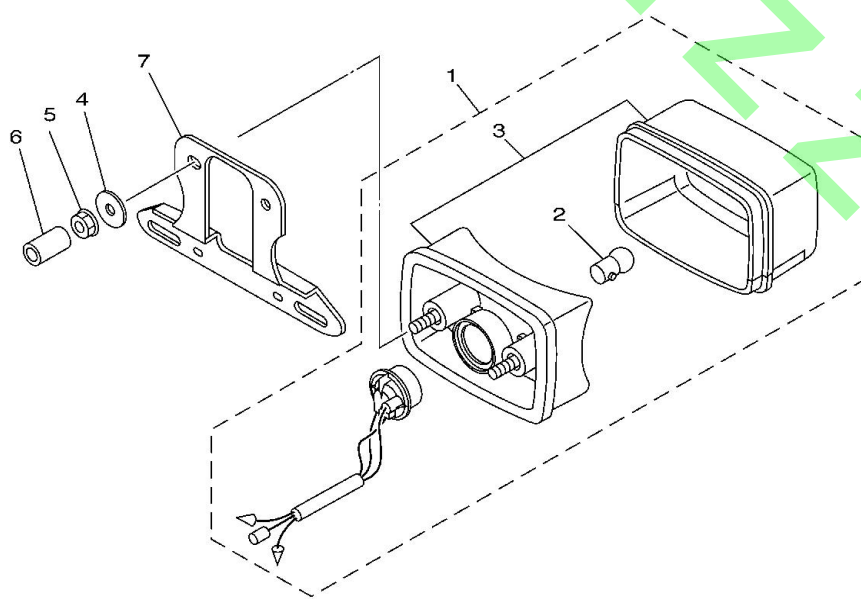
| Ref. No. | Part No. | Description | | Remarks |
|----------|-----------------|-------------------------|---|---------------|
| | 1 5KM-23813-00 | COLUMN, STEERING 2 | 1 | |
| | 2 5KM-23816-00 | ARM, PITMAN | 1 | |
| | 3 8K1-23814-00 | HOLDER, HANDLE | 2 | |
| | 4 95827-08030 | BOLT, FLANGE | 4 | |
| | 5 1UY-23812-00 | PLANE BEARING, STEERING | 2 | |
| <hr/> | | | | |
| | 6 93112-31011 | OIL SEAL | 2 | |
| | 7 5KM-23868-00 | BRACKET, STEERING LOWER | 1 | |
| | 8 97027-08060 | BOLT | 2 | |
| | 9 1UY-23894-01 | WASHER, LOCK 1 | 1 | |
| | 10 90387-090R0 | COLLAR | 2 | |
| <hr/> | | | | |
| | 11 90201-14226 | WASHER, PLATE | 1 | |
| | 12 90185-14070 | NUT, SELF-LOCKING | 1 | |
| | 13 90468-16191 | CLIP | 1 | |
| | 14 5KM-23831-00 | ROD, TIE | 2 | |
| | 15 1UY-23841-01 | JOINT, UNIVERSAL 1 | 2 | |
| <hr/> | | | | |
| | 16 1UY-23845-01 | JOINT, UNIVERSAL 2 | 2 | |
| | 17 95307-10700 | NUT | 2 | |
| | 18 90170-10186 | NUT | 2 | (L.H. THREAD) |
| | 19 90171-10046 | NUT, CASTLE | 4 | |
| | 20 92990-10600 | WASHER, PLATE | 2 | |
| <hr/> | | | | |
| | 21 91401-20020 | PIN, COTTER | 4 | |
| <hr/> | | | | |



5KM1100-2300

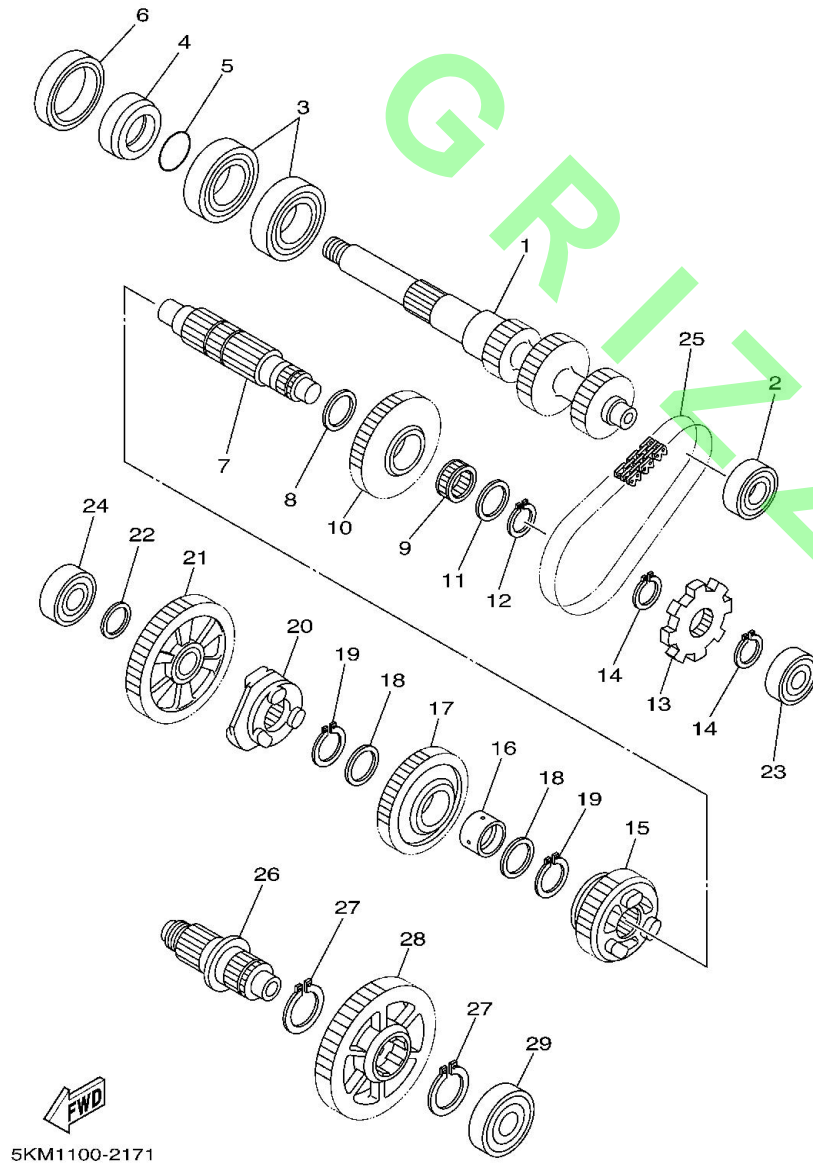
Fig. 47 TAILLIGHT 2

| Ref. No. | Part No. | Description | | Remarks |
|----------|--------------|---------------------|---|---------|
| 1 | 5KM-84710-00 | TAILLIGHT UNIT ASSY | 1 | |
| 2 | 1A2-84714-41 | . BULB (12V-21/5W) | 1 | |
| 3 | 5KM-8472C-10 | . LENS, TAILLIGHT | 1 | |
| 4 | 90201-06074 | WASHER, PLATE | 2 | |
| 5 | 95707-06300 | NUT, FLANGE | 2 | |
| 6 | 90445-09220 | HOSE (L30) | 2 | |
| 7 | 5GH-84751-10 | BRACKET, LICENSE | 1 | |



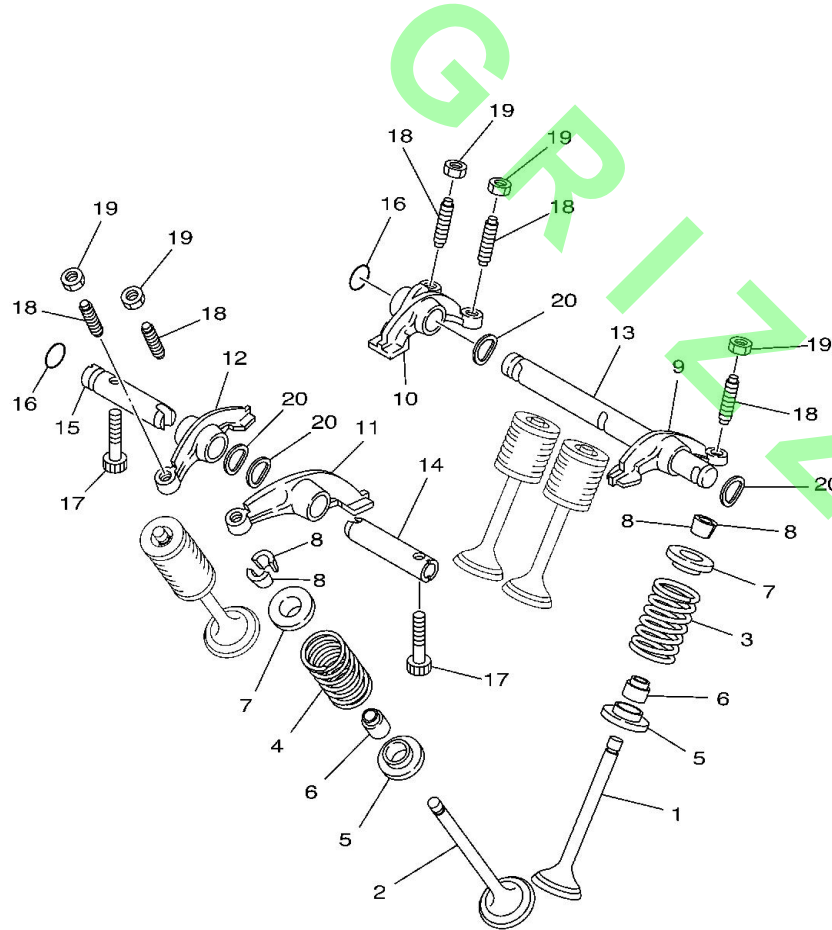
5KM1100-2471

Fig. 17 TRANSMISSION



| Ref. No. | Part No. | Description | Quantity | Remarks |
|----------|----------|--------------|----------|--------------------------|
| | 1 | 5KM-17681-10 | 1 | SHAFT, SECONDARY |
| | 2 | 93306-20321 | 1 | BEARING |
| | 3 | 93306-00612 | 2 | BEARING |
| | 4 | 90387-26001 | 1 | COLLAR |
| | 5 | 93210-26001 | 1 | O-RING |
| | 6 | 93102-42004 | 1 | OIL SEAL |
| | 7 | 5KM-17402-01 | 1 | DRIVE AXLE ASSY |
| | 8 | 90201-20278 | 1 | WASHER, PLATE |
| | 9 | 93310-420F2 | 1 | BEARING |
| | 10 | 5KM-17453-00 | 1 | SPROCKET, DRIVEN (25T) |
| | 11 | 90201-20278 | 1 | WASHER, PLATE |
| | 12 | 93410-20038 | 1 | CIRCLIP |
| | 13 | 5KM-17473-00 | 1 | STOPPER |
| | 14 | 93410-20038 | 2 | CIRCLIP |
| | 15 | 2C6-17582-00 | 1 | GEAR, MIDDLE DRIVE (21T) |
| | 16 | 90387-250R3 | 1 | COLLAR |
| | 17 | 5KM-17223-10 | 1 | GEAR, HIGH WHEEL (26T) |
| | 18 | 90209-22082 | 2 | WASHER (T=0.5) |
| | 19 | 93440-25084 | 2 | CIRCLIP |
| | 20 | 2C6-17285-00 | 1 | CLUTCH, DOG |
| | 21 | 5UG-17233-00 | 1 | GEAR, LOW WHEEL (35T) |
| | 22 | 90201-17255 | 1 | WASHER, PLATE |
| | 23 | 93306-20221 | 1 | BEARING |
| | 24 | 93306-20332 | 1 | BEARING |
| | 25 | 94591-54034 | 1 | CHAIN (23RH302-34ASM) |
| | 26 | 5KM-17523-10 | 1 | SHAFT |
| | 27 | 93440-25084 | 2 | CIRCLIP |

Fig. 04 VALVE

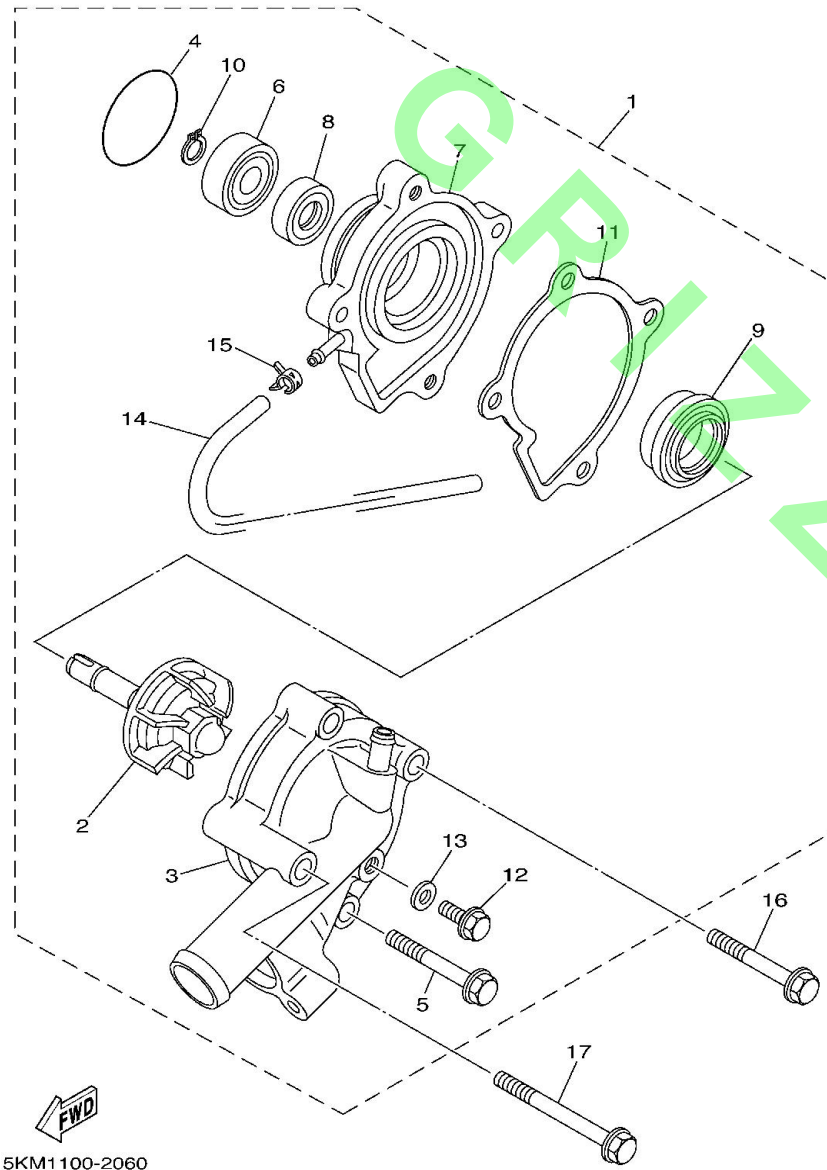


| Ref. No. | Part No. | Description | | Remarks |
|----------|-----------------|------------------------|----|---------|
| | 1 5KM-12111-00 | VALVE, INTAKE | 3 | |
| | 2 3YF-12121-00 | VALVE, EXHAUST | 2 | |
| | 3 3YF-12113-00 | SPRING, VALVE INNER | 3 | |
| | 4 3YF-12114-00 | SPRING, VALVE OUTER | 2 | |
| | 5 3YF-12116-00 | SEAT, VALVE SPRING | 5 | |
| | 6 5H0-12119-00 | SEAL, VALVE STEM | 5 | |
| | 7 3YF-12117-01 | RETAINER, VALVE SPRING | 5 | |
| | 8 4G0-12118-00 | COTTER, VALVE | 10 | |
| | 9 3YF-12151-00 | ARM, VALVE ROCKER | 1 | |
| | 10 3YF-12161-00 | ARM, VALVE ROCKER 2 | 1 | |
| | 11 3YF-12162-00 | ARM, VALVE ROCKER 3 | 1 | |
| | 12 3YF-12163-00 | ARM, VALVE ROCKER 4 | 1 | |
| | 13 3YF-12146-00 | SHAFT, ROCKER | 1 | |
| | 14 2NX-12156-00 | SHAFT, ROCKER 2 | 1 | |
| | 15 3YF-12166-00 | SHAFT, ROCKER 3 | 1 | |
| | 16 93210-08521 | O-RING | 2 | |
| | 17 90109-063E8 | BOLT | 2 | |
| | 18 2NX-12159-00 | SCREW, VALVE ADJUSTING | 5 | |
| | 19 90170-06128 | NUT | 5 | |
| | 20 90206-12075 | WASHER, WAVE | 4 | |



5LP1100-1041

Fig. 06 WATER PUMP



| Ref. No. | Part No. | Description | | Remarks |
|----------|--------------|---------------------------|---|---------|
| 1 | 5KM-12420-10 | WATER PUMP ASSY | 1 | |
| 2 | 5KM-12450-10 | . IMPELLER SHAFT ASSY | 1 | |
| 3 | 5KM-12422-00 | . COVER, HOUSING | 1 | |
| 4 | 93210-33133 | . O-RING | 1 | |
| 5 | 90105-06023 | . BOLT, FLANGE | 2 | |
| 6 | 93306-00006 | . BEARING | 1 | |
| 7 | 5KM-12421-00 | . HOUSING, WATER PUMP | 1 | |
| 8 | 93101-10090 | . OIL SEAL | 1 | |
| 9 | 11H-12438-10 | . SEAL, MECHANICAL | 1 | |
| 10 | 99009-10400 | . CIRCLIP | 1 | |
| 11 | 5KM-12428-00 | . GASKET, HOUSING COVER 2 | 1 | |
| 12 | 95027-06012 | . BOLT, FLANGE | 1 | |
| 13 | 90430-06014 | . GASKET | 1 | |
| 14 | 90446-06001 | . HOSE (L300) | 1 | |
| 15 | 90467-06194 | . CLIP | 1 | |
| 16 | 95027-06045 | BOLT, FLANGE | 1 | |
| 17 | 95027-06065 | BOLT, FLANGE | 1 | |